

REVISIONS			
REV	DESCRIPTION	DATE	APPROVED
M	ADDED GLAZED FIR TRIMS	08/25/2021	R.L.

NOTES:

- 1) THE PRODUCT SHOWN HEREIN IS DESIGNED AND MANUFACTURED TO COMPLY WITH REQUIREMENTS OF FLORIDA BUILDING CODE.
- 2) WOOD FRAMING AND MASONRY OPENING TO BE DESIGNED AND ANCHORED TO PROPERLY TRANSFER ALL LOADS TO STRUCTURE. WOOD FRAMING AND MASONRY OPENING IS THE RESPONSIBILITY OF THE ARCHITECT OR ENGINEER OF RECORD.
- 3) APPROVED IMPACT PROTECTIVE SYSTEM IS REQUIRED FOR THIS PRODUCT IN WIND BORNE DEBRIS REGIONS.
- 4) UNITS MUST BE GLAZED PER ASTM E1300, WITH SAFETY GLAZING.
- 5) ALLOWABLE STRESS INCREASE OF 1/3 WAS NOT USED IN THE DESIGN OF THE PRODUCT SHOWN HEREIN. WIND LOAD DURATION FACTOR Cd=1.6 WAS USED FOR WOOD ANCHOR CALCULATIONS.
- 6) SHIM AS REQUIRED AT EACH INSTALLATION ANCHOR WITH LOAD BEARING SHIM. SHIM WHERE SPACE OF 1/16" OR GREATER OCCURS. MAXIMUM ALLOWABLE SHIM STACK TO BE 1/4".
- 7) FOR ANCHORING INTO 2X BUCK OR WOOD FRAMING USE #10 WOOD SCREW OF SUFFICIENT LENGTH TO ACHIEVE A 1 3/8" MINIMUM EMBEDMENT INTO SUBSTRATE. LOCATE ANCHORS AS SHOWN IN ANCHORING LAYOUT AND INSTALLATION DETAILS.
- 8) FOR ANCHORING INTO MASONRY/CONCRETE USE 3/16" TAPCON OF SUFFICIENT LENGTH TO ACHIEVE A 1 3/4" MINIMUM EMBEDMENT INTO SUBSTRATE WITH 2" MINIMUM EDGE DISTANCE. LOCATE ANCHORS AS SHOWN IN ANCHORING LAYOUT AND INSTALLATION DETAILS.
- 9) FOR ANCHORING INTO METAL STRUCTURE USE #10 SMS OR SELF DRILLING SCREW WITH SUFFICIENT LENGTH TO ACHIEVE 3 THREADS MINIMUM BEYOND STRUCTURE INTERIOR WALL. LOCATE ANCHORS AS SHOWN IN ELEVATIONS AND INSTALLATION DETAILS.
- 10) ALL FASTENERS TO BE CORROSION RESISTANT.
- 11) INSTALLATION ANCHOR CAPACITIES FOR PRODUCTS HEREIN ARE BASED ON SUBSTRATE MATERIAL WITH THE FOLLOWING PROPERTIES:
 - A. WOOD - G=0.42 MINIMUM SPECIFIC GRAVITY
 - B. CONCRETE - 3,000PSI MINIMUM COMPRESSIVE STRENGTH.
 - C. MASONRY - GROUT FILLED STRENGTH CONFORMANCE TO ASTM C-90, GRADE N, TYPE 1 (OR GREATER).
 - D. METAL STRUCTURE - STEEL 18GA (.048") FY=33KSI/FU=52KSI

- 12) FRAME MATERIAL: WOOD WITH G .46 MINIMUM SPECIFIC GRAVITY OR FRAMESAVER OR FUSION FRAME.
- 13) DOOR PANEL AND SIDELITE MATERIAL: .080" THICK FIBERGLASS WITH WOOD TOP RAIL AND COMPOSITE BOTTOM RAIL.
- 14) MAXIMUM DOOR PANEL AND SIDELITE SASH SIZE = 35 3/4" x 83".
- 15) UNITS MAY BE INSTALLED WITH EITHER SCHLAGE F-SERIES DOOR KNOB AND B-SERIES OR F-SERIES DEADBOLT OR EMTEK RESIDENTIAL GRADE DOOR HANDLE ASSEMBLY OR MULTI-POINT LOCK HANDLE ASSEMBLY BY TRILENNIUM, SEE HARDWARE SCHEDULE SHEET 3 FOR APPROVED HARDWARE.

TABLE OF CONTENTS	
SHEET NO.	DESCRIPTION
1	NOTES
2	INSWING ELEVATION
3	ADDITIONAL CONFIGURATIONS AND HARDWARE
4 - 5	ANCHORING LAYOUTS
6 - 9	INSTALLATION DETAILS
10 - 12	COMPONENTS AND GLAZING DETAILS

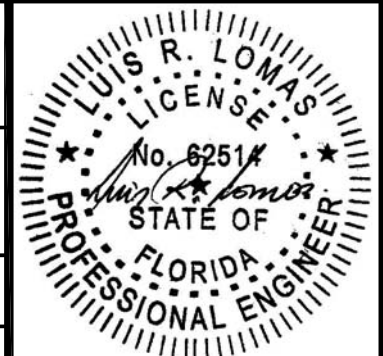
PROVIA, LLC.
2150 STATE ROUTE 39 WEST
SUGARCREEK, OH 44681

SIGNET INSWING GLAZED FIBERGLASS PATIO DOOR
W/ AND W/OUT SIDELITES AND TRANSOM
NOTES

DRAWN: TJH	DWG NO. 08-00712	REV M
SCALE NTS	DATE 03/31/09	SHEET 1 OF 12

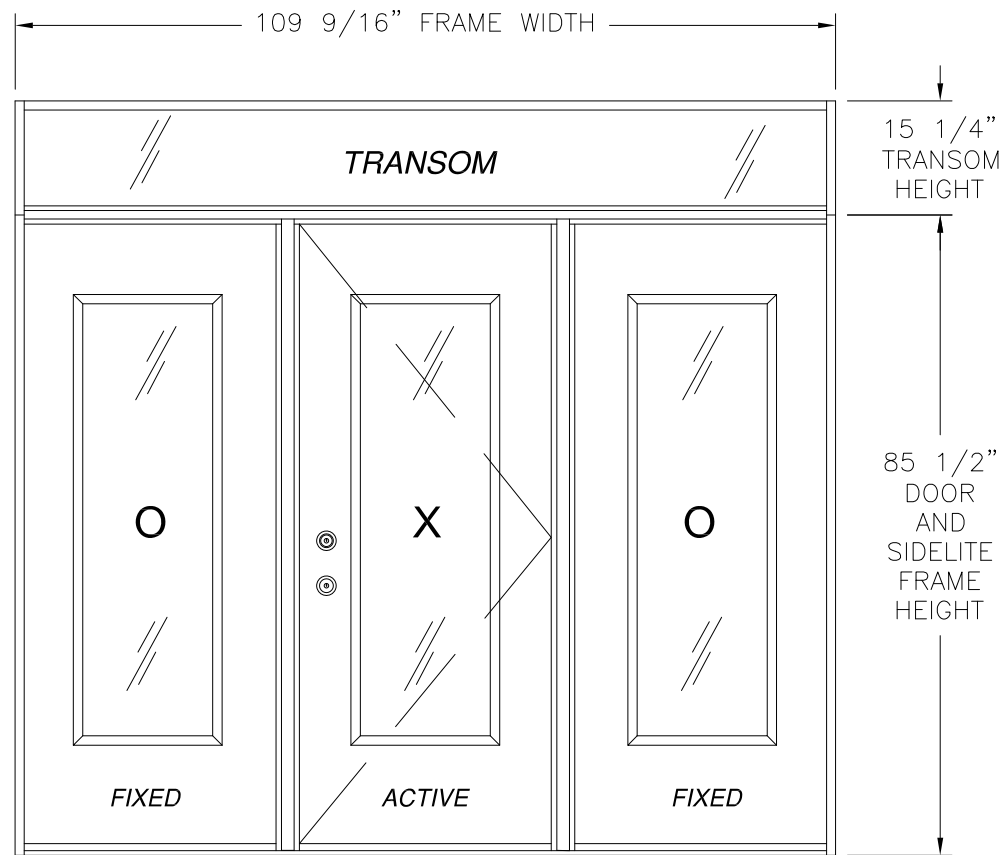
L. ROBERTO LOMAS P.E.
1432 WOODFORD RD LEWISVILLE, NC 27023
434-688-0609 rllomas@lrlomaspe.com

SIGNED: 09/08/2021



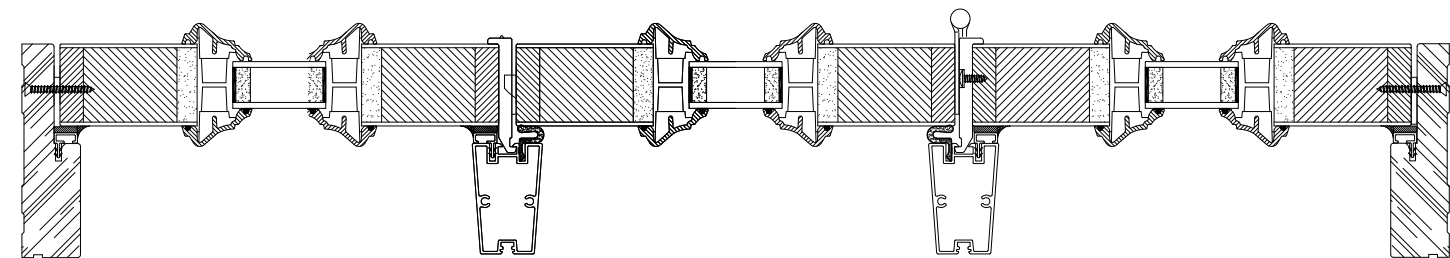
Luis R. Lomas P.E.
FL No.: 62514

REVISIONS			
REV	DESCRIPTION	DATE	APPROVED
M	ADDED GLAZED FIR TRIMS	08/25/2021	R.L.



NOTES:

1. DOOR PANEL SIZE: 35 3/4" X 83"
2. SIDELITE PANEL SIZE: 35 3/4" X 83"
3. DOOR PANEL D.L.O.: 21 1/4" X 63 1/4"
4. SIDELITE PANEL D.L.O.: 21 1/4" X 63 1/4"
5. TRANSOM D.L.O.: 107 1/16" X 12 3/4"



HORIZONTAL CROSS SECTION

SIGNET INSWING FIBERGLASS SINGLE DOOR W/ SIDELITES AND TRANSOM
EXTERIOR VIEW

DESIGN PRESSURE RATING	IMPACT RATING
+45PSF / -50PSF	NONE
THIS SYSTEM WAS NOT TESTED FOR WATER INFILTRATION AND IS TO BE INSTALLED ONLY WHERE THE WATER REQUIREMENT IS NOT NEEDED	

FOR ADDITIONAL APPROVED CONFIGURATIONS SEE SHEET 2.
35 3/4" x 83" PANEL SIZE SHOWN. OTHER SIZES ARE APPROVED AS LONG AS INDIVIDUAL PANEL AREA DOES NOT EXCEED 20.60 FT²

HARDWARE SCHEDULE

- A. F-SERIES LOCK ASSEMBLY DOOR KNOB BY SCHLAGE.
- B. B-SERIES DEADBOLT ASSEMBLY BY SCHLAGE.
- C. F-SERIES DEADBOLT ASSEMBLY BY SCHLAGE.
- D. RESIDENTIAL GRADE DOOR HANDLE ASSEMBLY BY EMTEK (ALTERNATE).
- E. MULTI-POINT LOCK HANDLE ASSEMBLY BY TRILENNIUM (ALTERNATE).
- F. (2) EXTRUDED ALUMINUM MULLION BY PROVIA DOOR, INC.
- G. (3) 4" x 4" BALL BEARING HINGES BY BY PENROD.
- H. (3) 4" x 4" SPRING BOMMER HINGES BY PENROD.

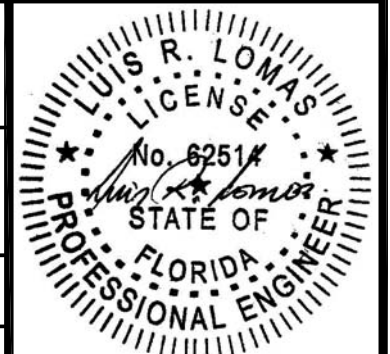
SIGNED: 09/08/2021

PROVIA, LLC.
2150 STATE ROUTE 39 WEST
SUGARCREEK, OH 44681

SIGNET INSWING GLAZED FIBERGLASS PATIO DOOR
W/ AND W/OUT SIDELITES AND TRANSOM
INSWING ELEVATION

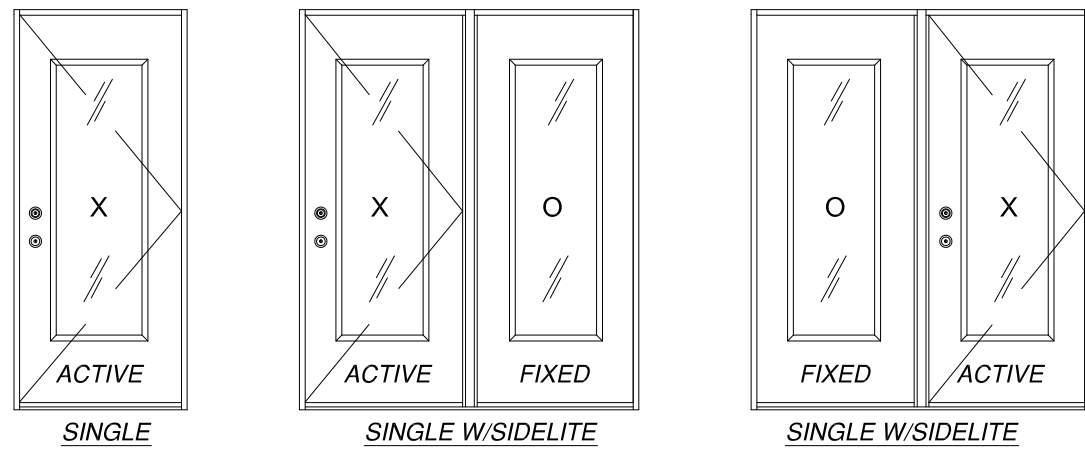
DRAWN: TJH	DWG NO. 08-00712	REV M
SCALE NTS	DATE 03/31/09	SHEET 2 OF 12

L. ROBERTO LOMAS P.E.
1432 WOODFORD RD LEWISVILLE, NC 27023
434-688-0609 rllomas@rlomaspe.com

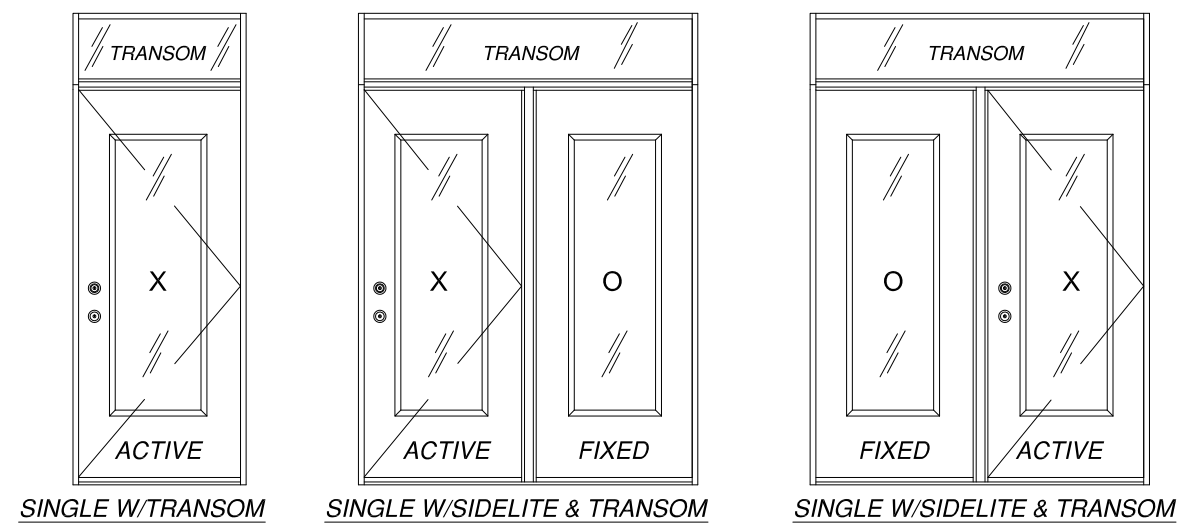


Luis R. Lomas P.E.
FL No.: 62514

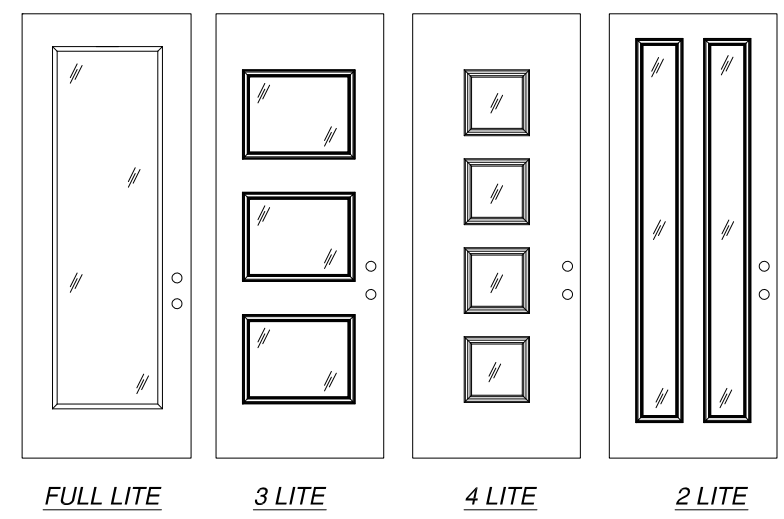
REVISIONS			
REV	DESCRIPTION	DATE	APPROVED
M	ADDED GLAZED FIR TRIMS	08/25/2021	R.L.



NOTE:
ALL APPROVED CONFIGURATIONS ARE SHOWN
AS RIGHT HAND ACTIVE, LEFT HAND ACTIVE
IS ALSO APPROVED.



APPROVED LITE CONFIGURATIONS



LITE CONFIGURATIONS SHOWN ARE FOR REFERENCE ONLY. MULTIPLE LITE
CONFIGURATIONS ARE APPROVED AS LONG AS LITE SIZE DOES NOT EXCEED 9.2 FT²

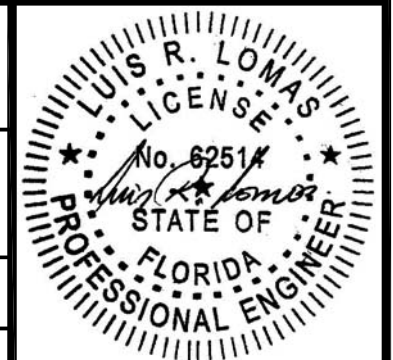
SIGNED: 09/08/2021

PROVIA, LLC.
2150 STATE ROUTE 39 WEST
SUGARCREEK, OH 44681

SIGNET INSWING GLAZED FIBERGLASS PATIO DOOR
W/ AND W/OUT SIDELITES AND TRANSOM
ADDITIONAL CONFIGURATIONS & HARDWARE

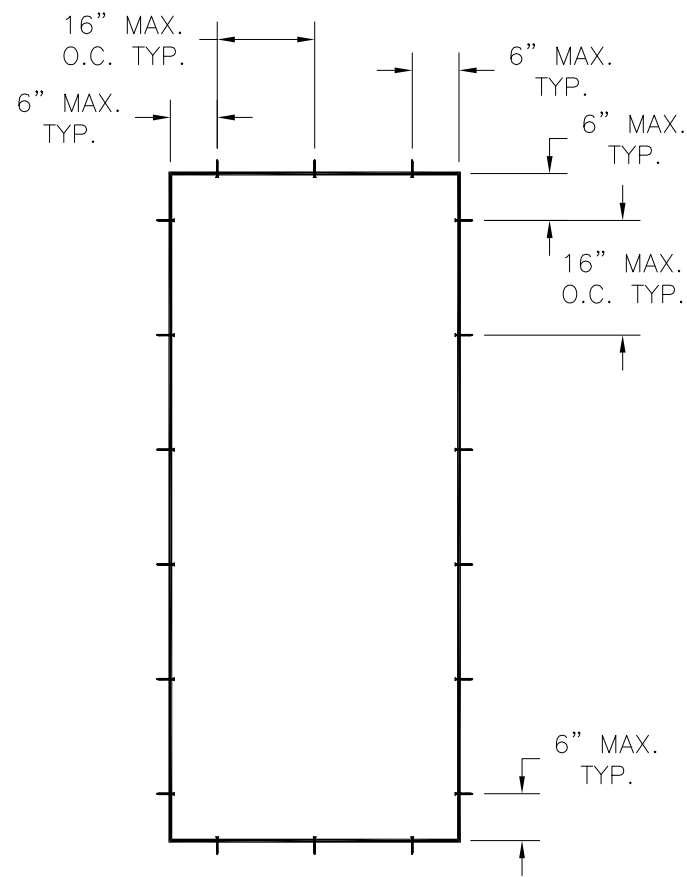
DRAWN: TJH	DWG NO. 08-00712	REV M
SCALE NTS	DATE 03/31/09	SHEET 3 OF 12

L. ROBERTO LOMAS P.E.
1432 WOODFORD RD LEWISVILLE, NC 27023
434-688-0609 rllomas@lrlomaspe.com

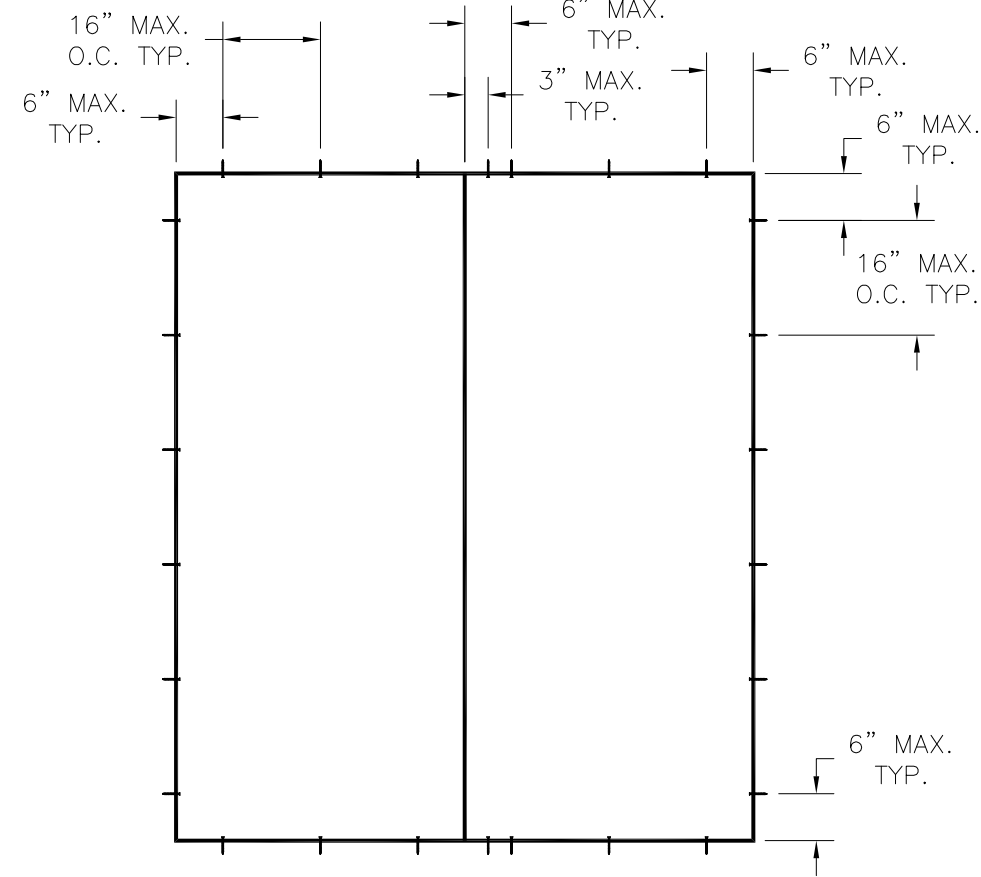


Luis R. Lomas P.E.
FL No.: 62514

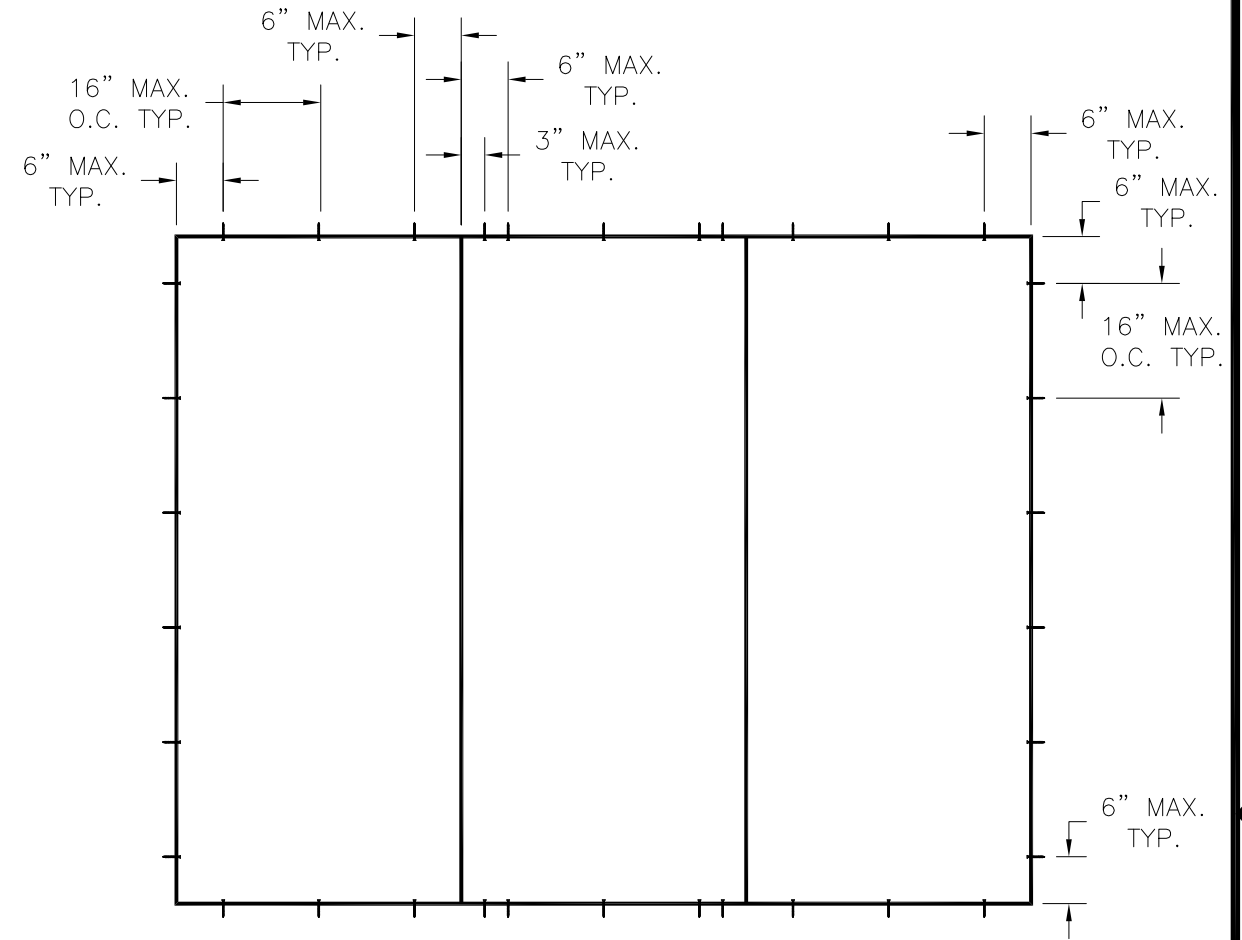
REVISIONS			
REV	DESCRIPTION	DATE	APPROVED
M	ADDED GLAZED FIR TRIMS	08/25/2021	R.L.



SINGLE



SINGLE W/SIDELITE



SINGLE W/SIDELITES

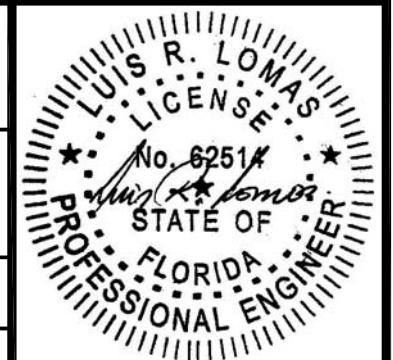
SIGNED: 09/08/2021

PROVIA, LLC.
 2150 STATE ROUTE 39 WEST
 SUGARCREEK, OH 44681

SIGNET INSWING GLAZED FIBERGLASS PATIO DOOR
 W/ AND W/OUT SIDELITES AND TRANSOM
 ANCHORING LAYOUTS WITHOUT TRANSOMS

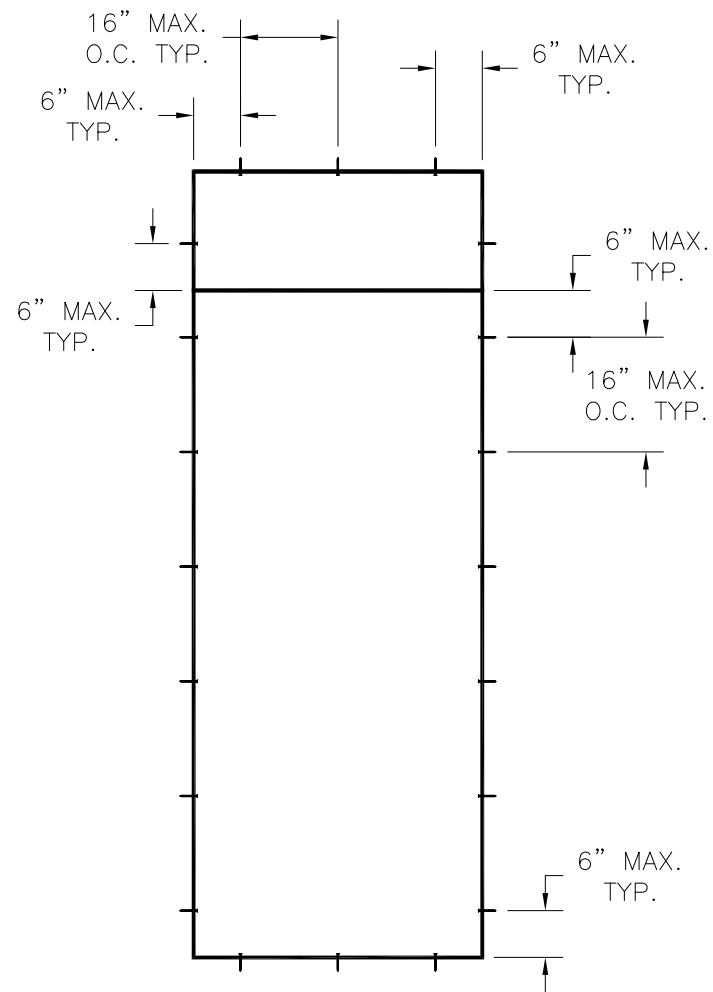
DRAWN: TJH	DWG NO. 08-00712	REV M
SCALE NTS	DATE 03/31/09	SHEET 4 OF 12

L. ROBERTO LOMAS P.E.
 1432 WOODFORD RD LEWISVILLE, NC 27023
 434-688-0609 rllomas@rlomaspe.com

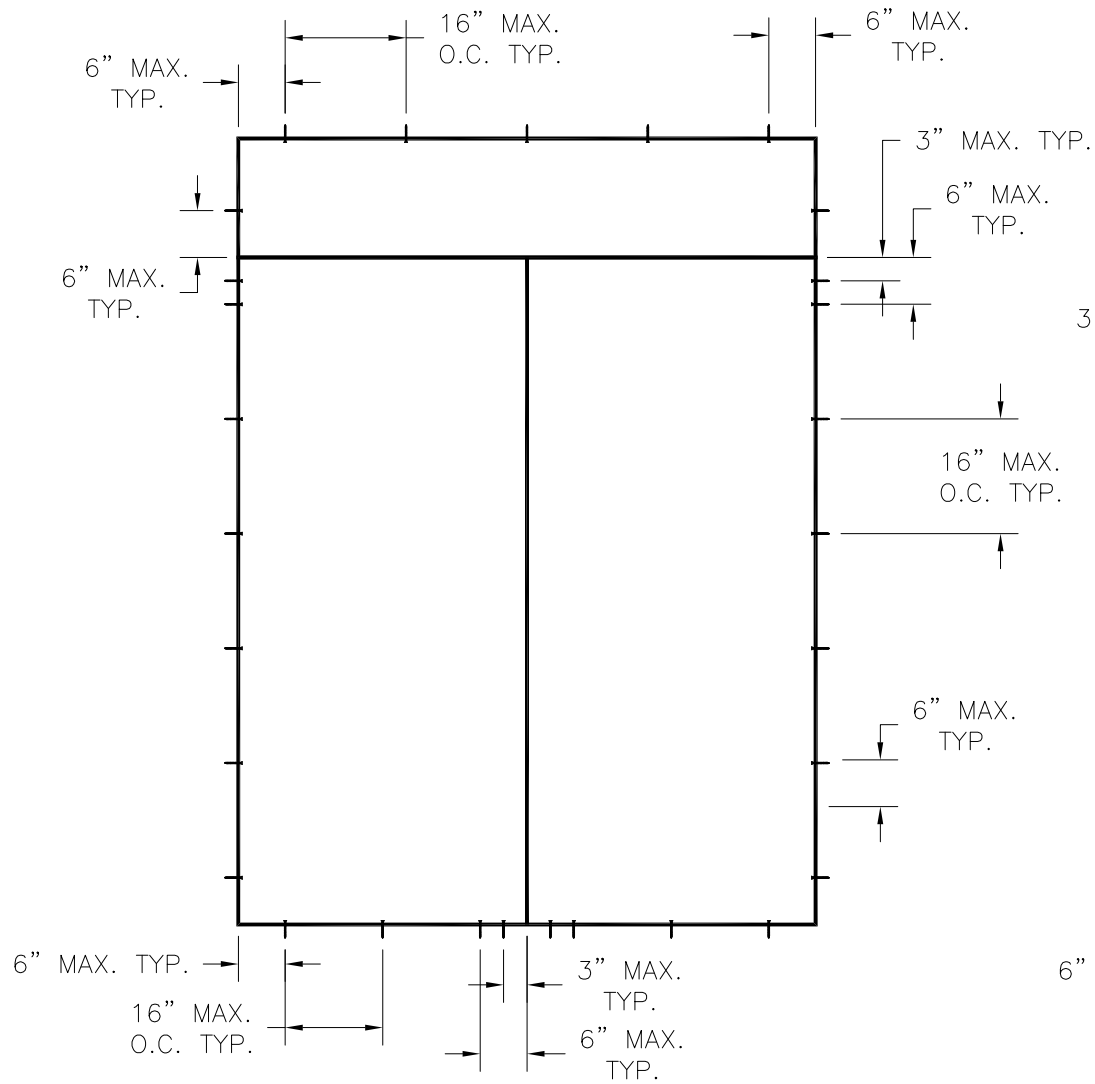


Luis R. Lomas P.E.
 FL No.: 62514

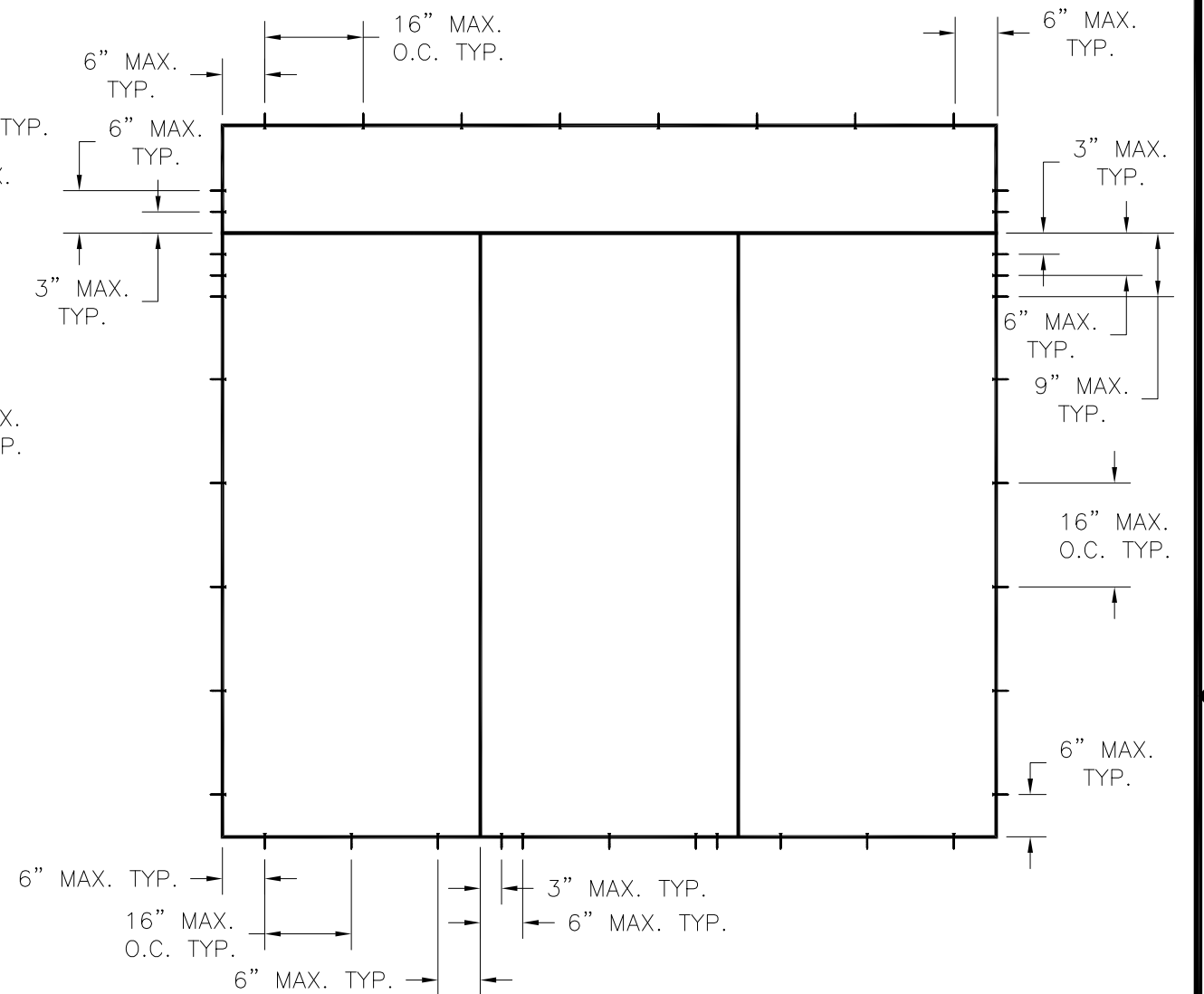
REVISIONS			
REV	DESCRIPTION	DATE	APPROVED
M	ADDED GLAZED FIR TRIMS	08/25/2021	R.L.



SINGLE WITH TRANSOM



SINGLE W/SIDELITE & TRANSOM



SINGLE W/SIDELITES & TRANSOM

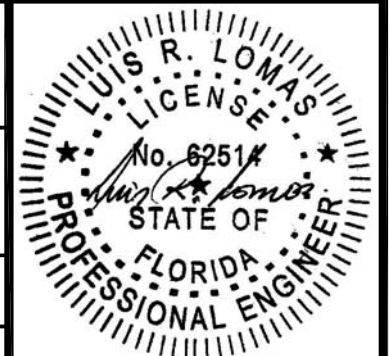
SIGNED: 09/08/2021

PROVIA, LLC.
2150 STATE ROUTE 39 WEST
SUGARCREEK, OH 44681

SIGNET INSWING GLAZED FIBERGLASS PATIO DOOR
W/ AND W/OUT SIDELITES AND TRANSOM
ANCHORING LAYOUTS WITH TRANSOMS

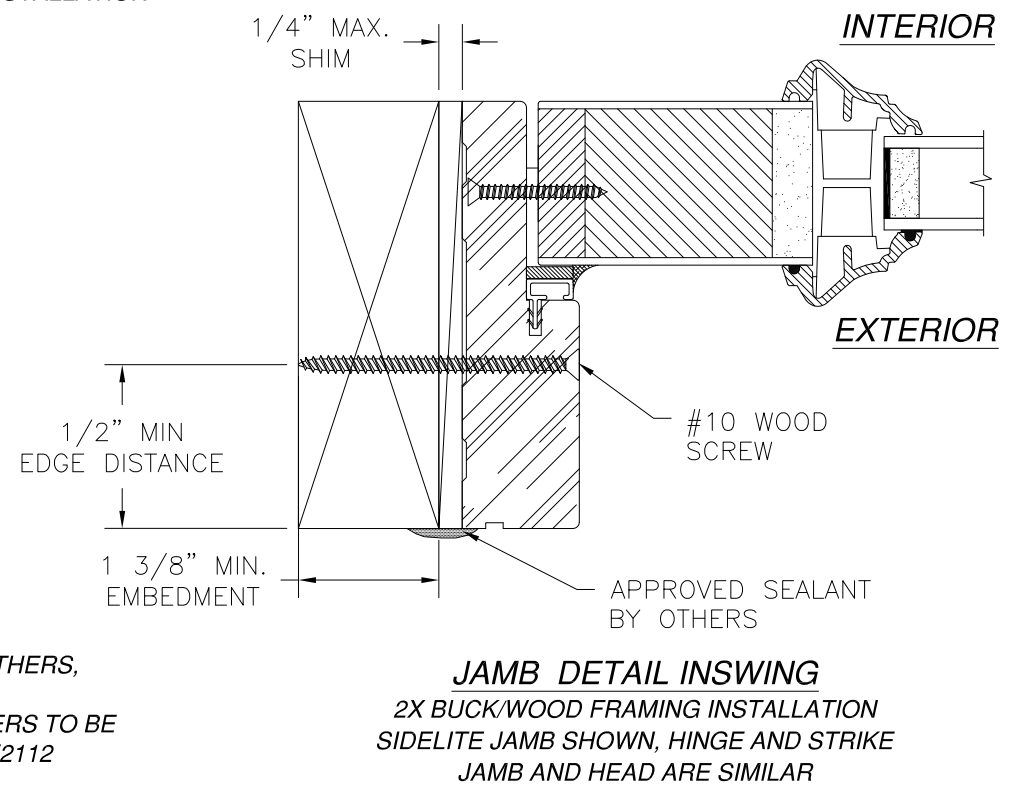
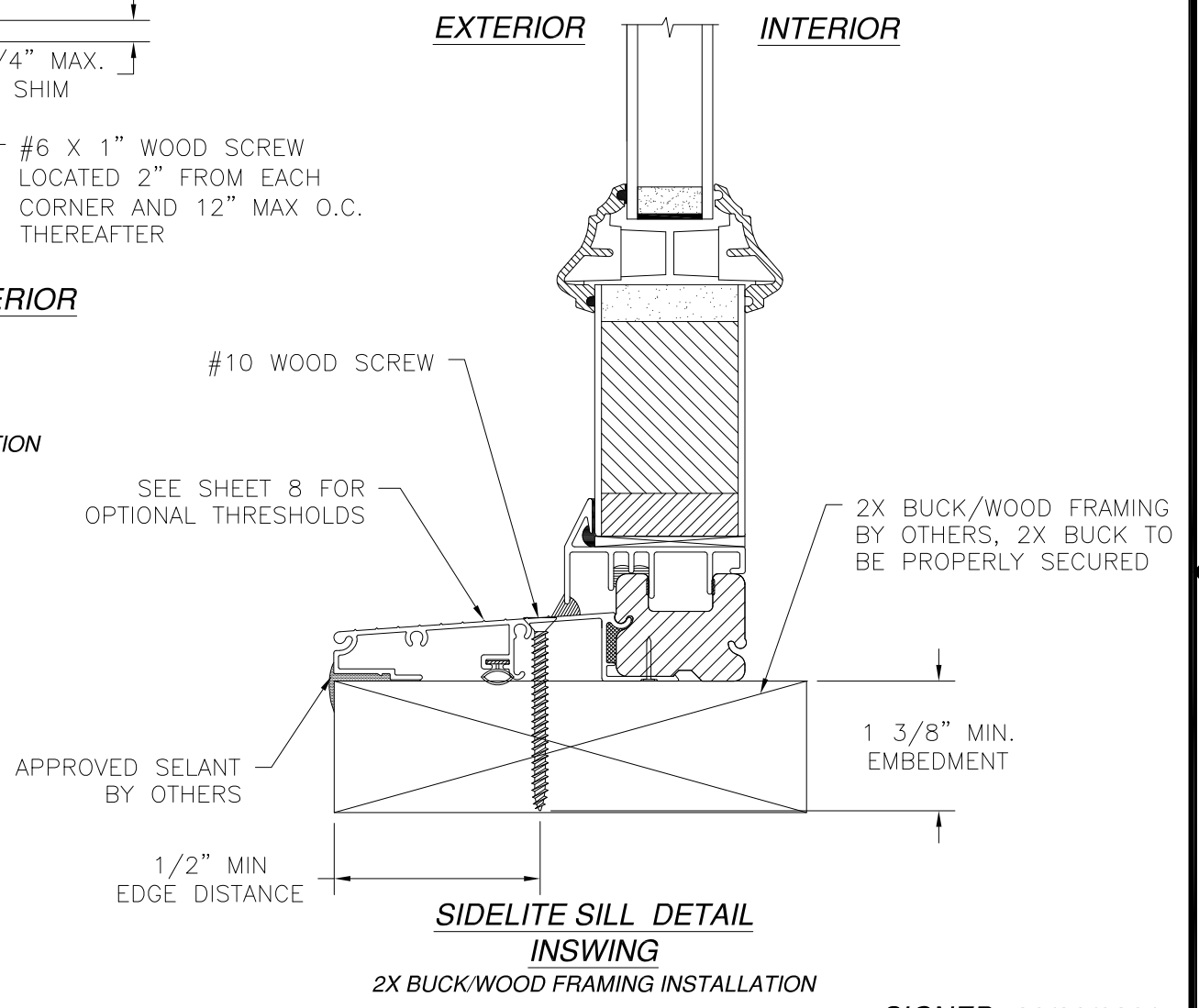
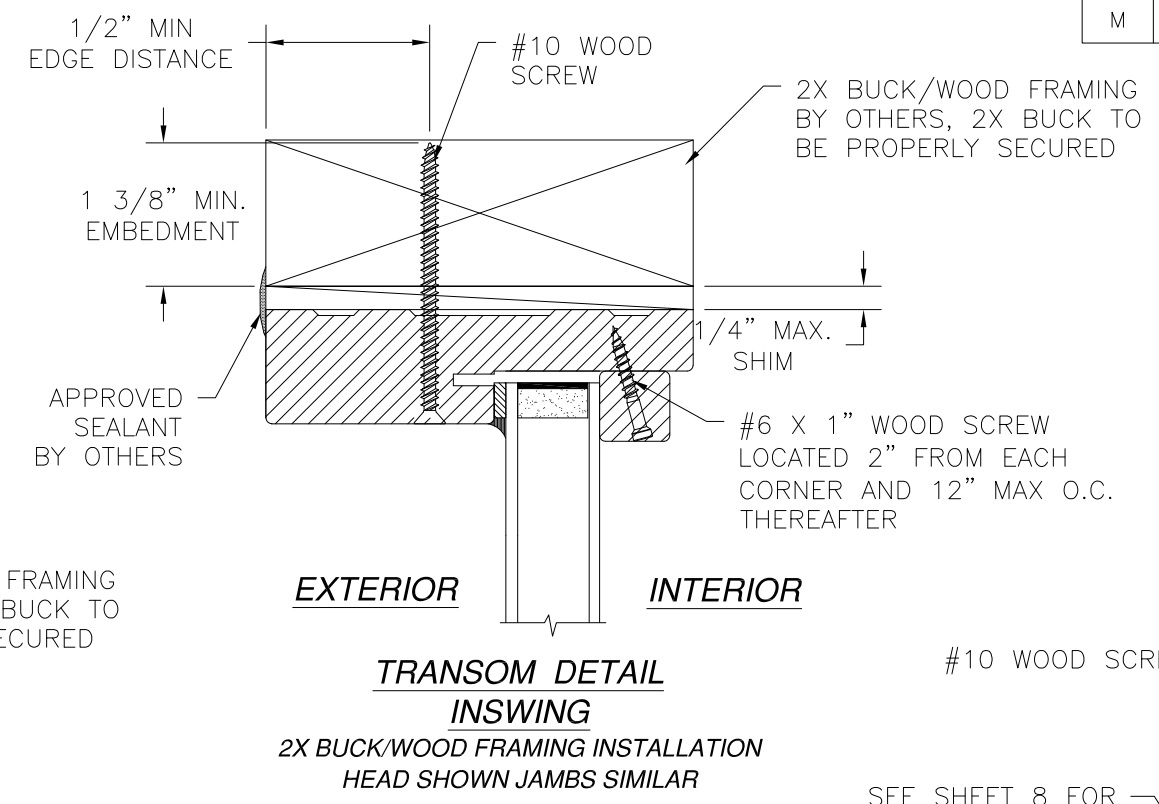
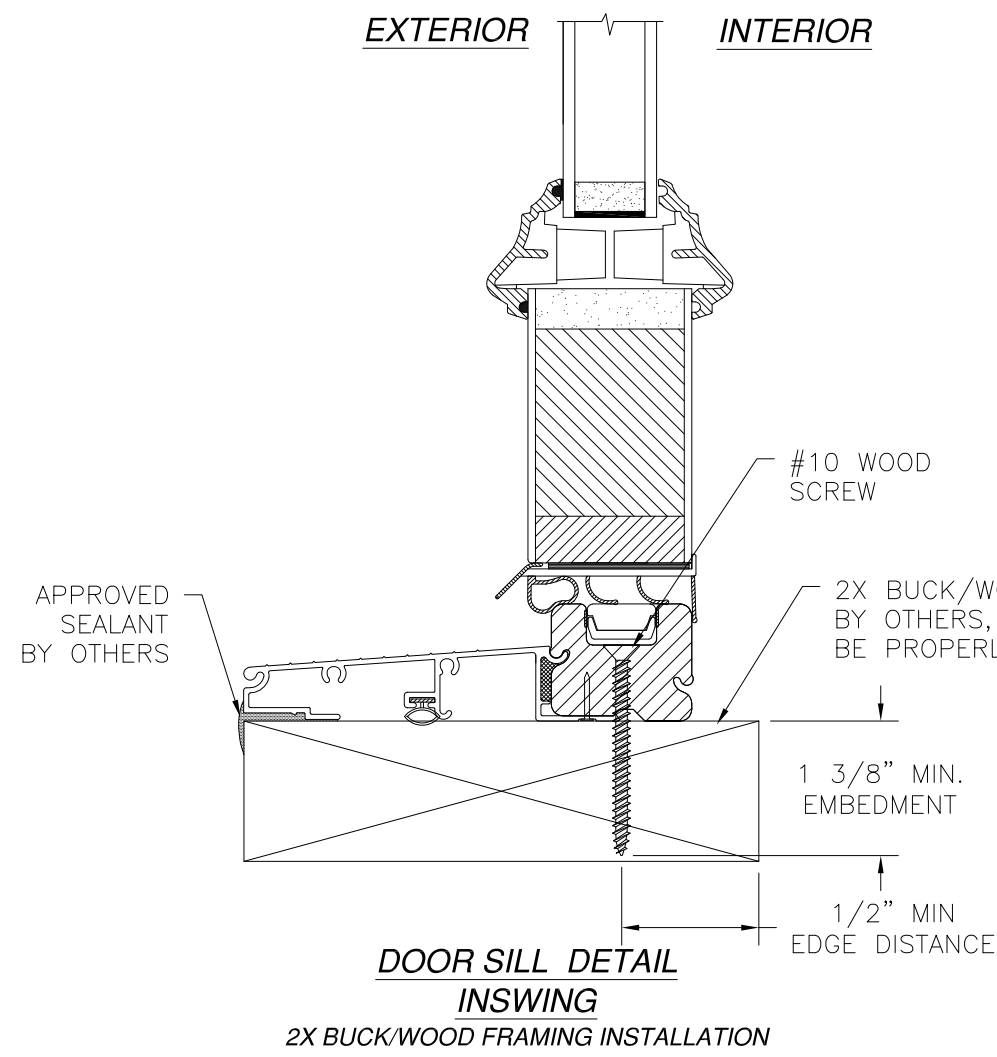
DRAWN: TJH	DWG NO. 08-00712	REV M
SCALE NTS	DATE 03/31/09	SHEET 5 OF 12

L. ROBERTO LOMAS P.E.
1432 WOODFORD RD LEWISVILLE, NC 27023
434-688-0609 rllomas@rlomaspe.com



Luis R. Lomas P.E.
FL No.: 62514

REVISIONS			
REV	DESCRIPTION	DATE	APPROVED
M	ADDED GLAZED FIR TRIMS	08/25/2021	R.L.



- NOTES:**
1. INTERIOR AND EXTERIOR FINISHES, BY OTHERS, NOT SHOWN FOR CLARITY.
 2. PERIMETER AND JOINT SEALANT BY OTHERS TO BE DESIGNED IN ACCORDANCE WITH ASTM E2112

SIGNED: 09/08/2021

PROVIA, LLC.
2150 STATE ROUTE 39 WEST
SUGARCREEK, OH 44681

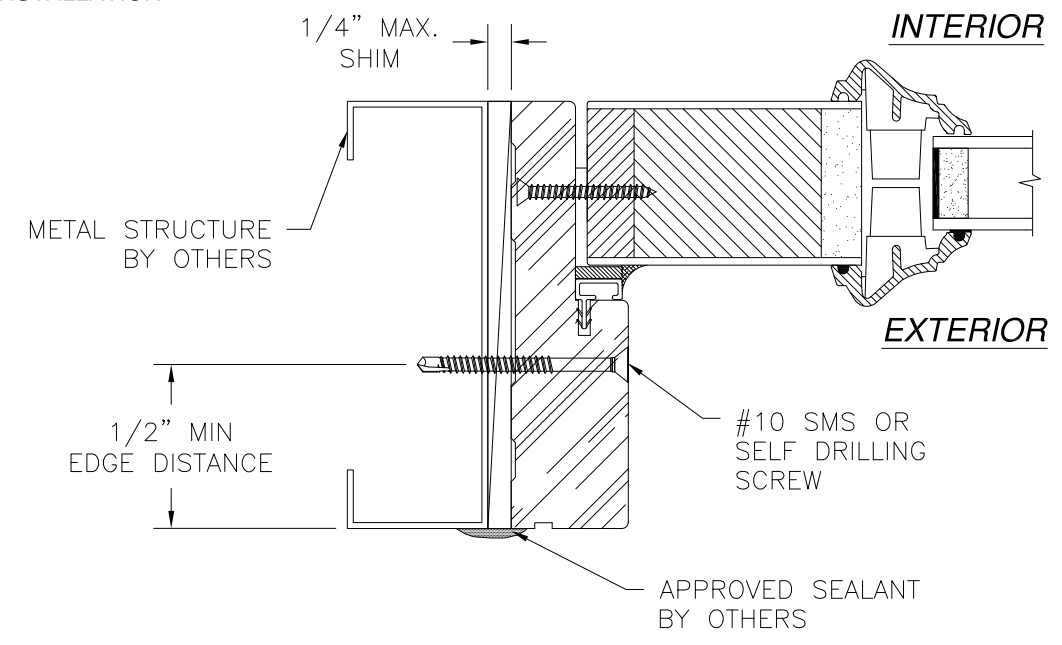
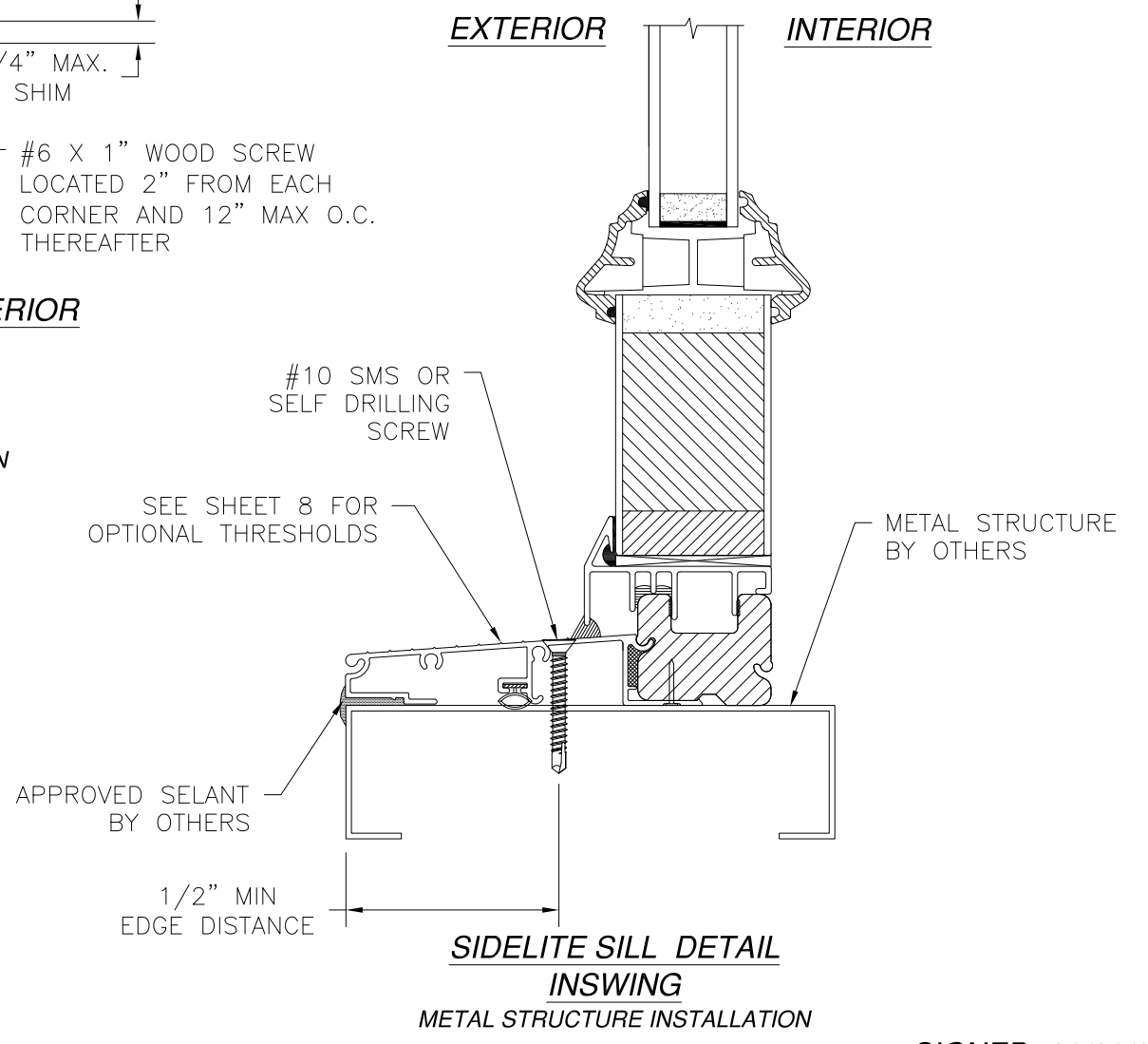
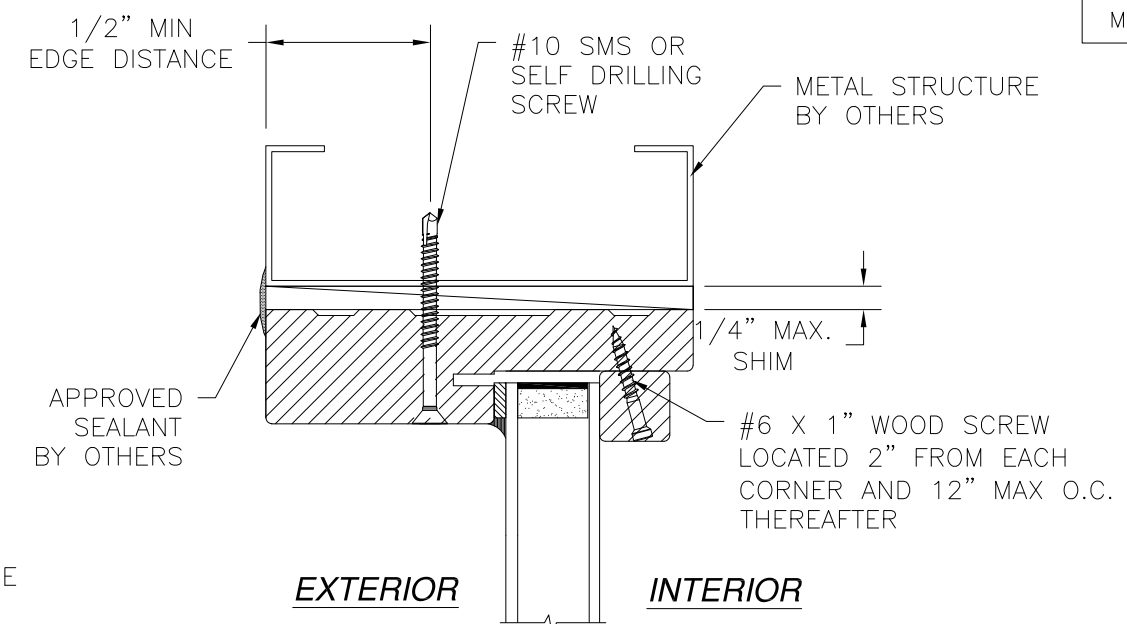
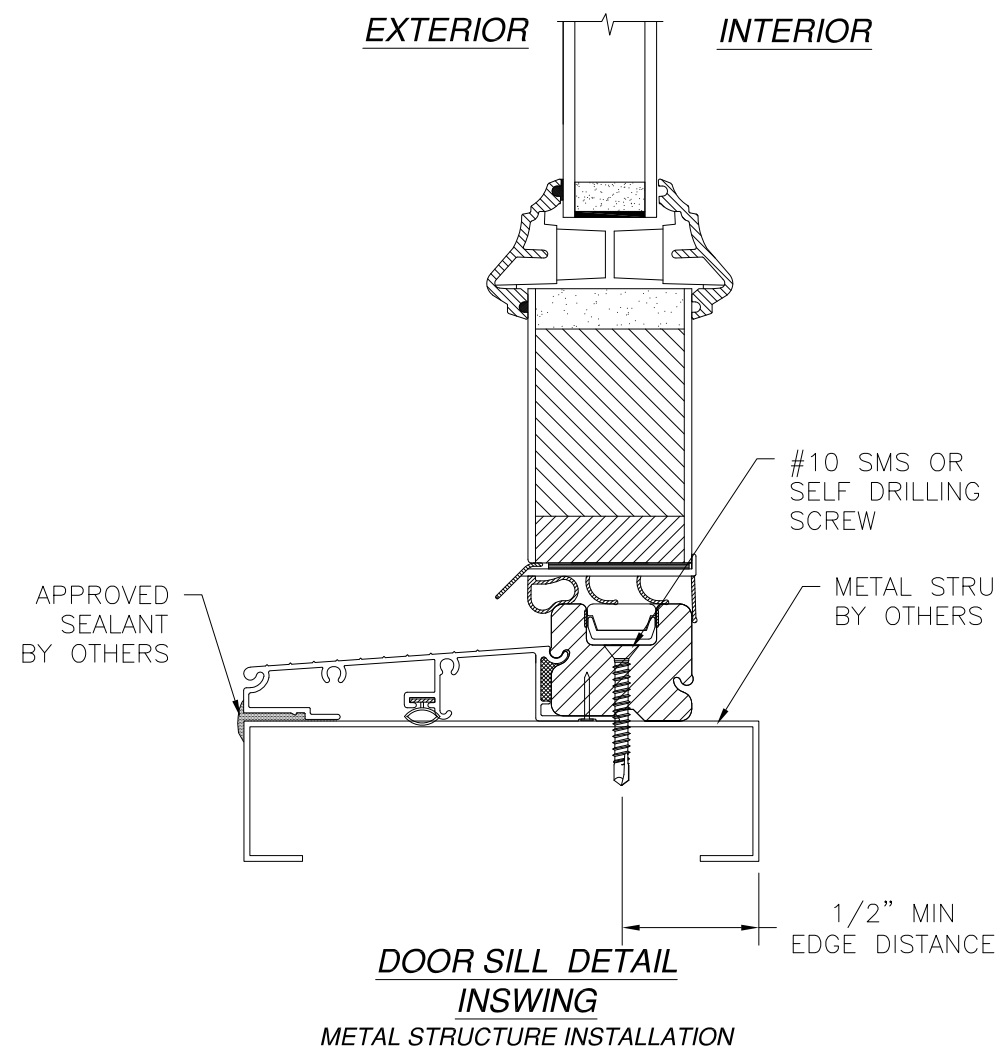
SIGNET INSWING GLAZED FIBERGLASS PATIO DOOR
W/ AND W/OUT SIDELITES AND TRANSOM
INSTALLATION DETAILS

DRAWN: TJH	DWG NO. 08-00712	REV M
SCALE NTS	DATE 03/31/09	SHEET 6 OF 12

L. ROBERTO LOMAS P.E.
1432 WOODFORD RD LEWISVILLE, NC 27023
434-688-0609 rllomas@rlomaspe.com

Luis R. Lomas P.E.
FL No.: 62514

REVISIONS			
REV	DESCRIPTION	DATE	APPROVED
M	ADDED GLAZED FIR TRIMS	08/25/2021	R.L.



- NOTES:**
1. INTERIOR AND EXTERIOR FINISHES, BY OTHERS, NOT SHOWN FOR CLARITY.
 2. PERIMETER AND JOINT SEALANT BY OTHERS TO BE DESIGNED IN ACCORDANCE WITH ASTM E2112

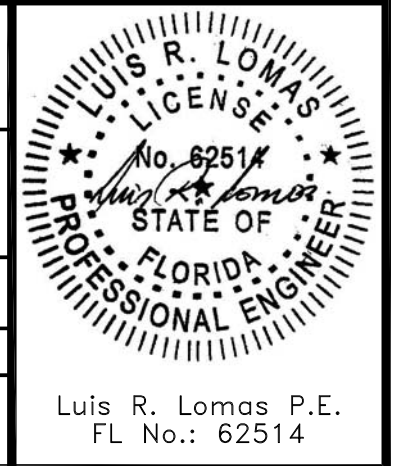
SIGNED: 09/08/2021

PROVIA, LLC.
2150 STATE ROUTE 39 WEST
SUGARCREEK, OH 44681

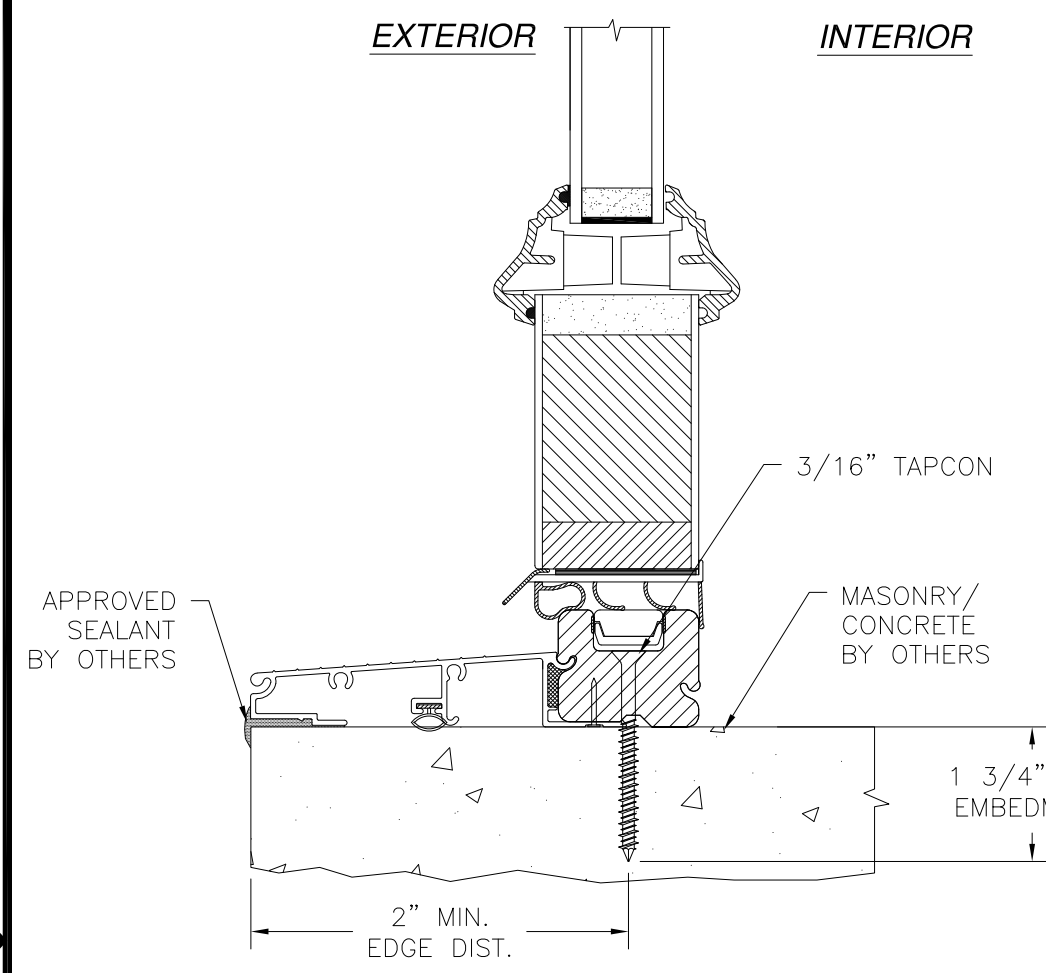
SIGNET INSWING GLAZED FIBERGLASS PATIO DOOR
W/ AND W/OUT SIDELITES AND TRANSOM
INSTALLATION DETAILS

DRAWN: TJH	DWG NO. 08-00712	REV M
SCALE NTS	DATE 03/31/09	SHEET 7 OF 12

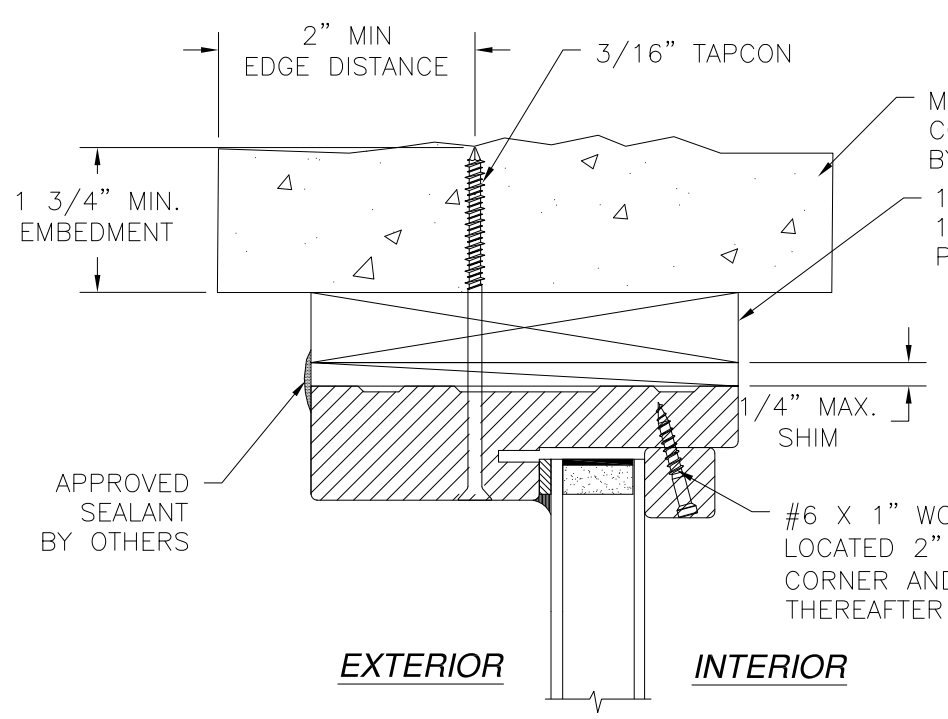
L. ROBERTO LOMAS P.E.
1432 WOODFORD RD LEWISVILLE, NC 27023
434-688-0609 rllomas@rlomaspe.com



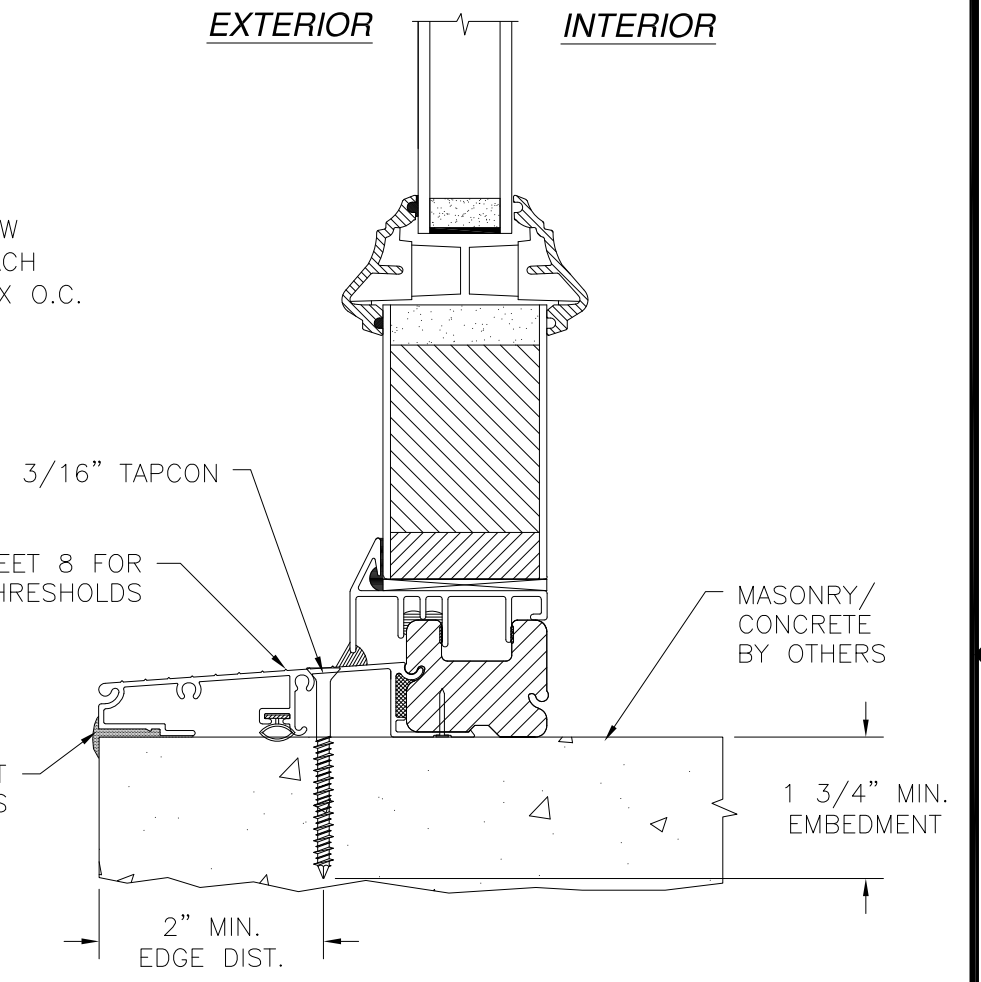
REVISIONS			
REV	DESCRIPTION	DATE	APPROVED
M	ADDED GLAZED FIR TRIMS	08/25/2021	R.L.



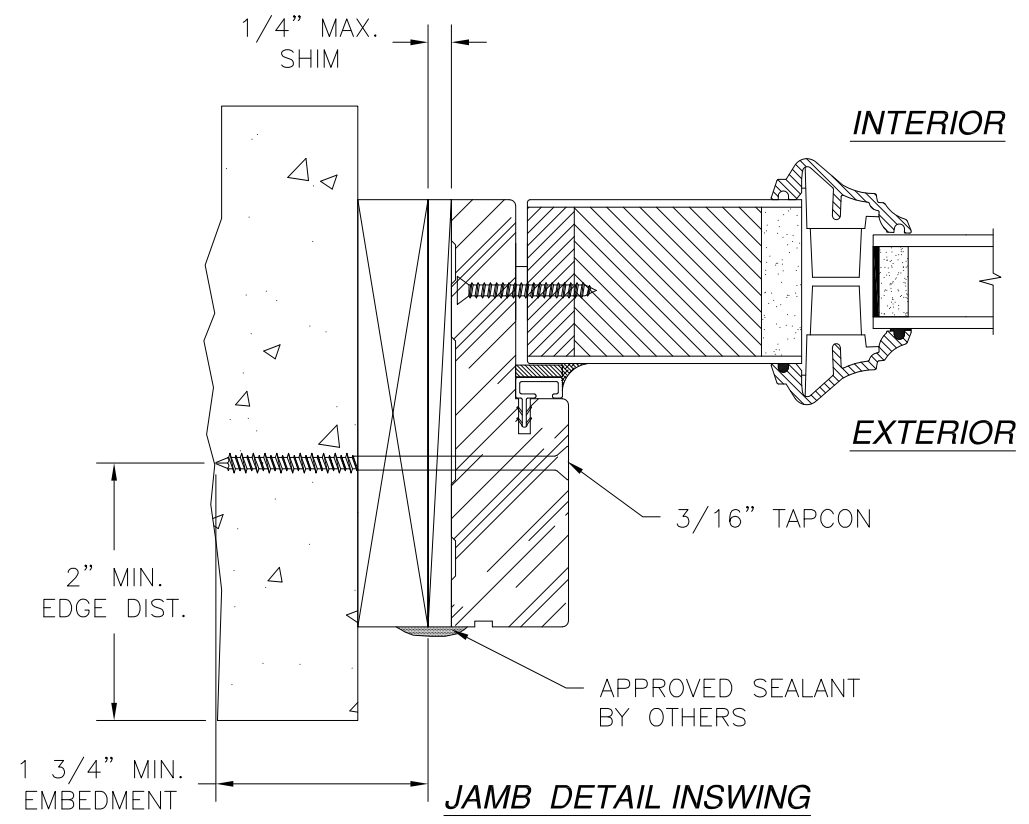
**DOOR SILL DETAIL
INSWING
MASONRY/CONCRETE INSTALLATION**



**TRANSOM DETAIL
INSWING
MASONRY/CONCRETE INSTALLATION
HEAD SHOWN JAMBS SIMILAR**



**SIDELITE SILL DETAIL
INSWING
MASONRY/CONCRETE INSTALLATION**



**JAMB DETAIL INSWING
MASONRY/CONCRETE INSTALLATION
SIDELITE JAMB SHOWN, HINGE AND STRIKE
JAMB AND HEAD ARE SIMILAR**

- NOTES:**
1. INTERIOR AND EXTERIOR FINISHES, BY OTHERS, NOT SHOWN FOR CLARITY.
 2. PERIMETER AND JOINT SEALANT BY OTHERS TO BE DESIGNED IN ACCORDANCE WITH ASTM E2112

SIGNED: 09/08/2021

PROVIA, LLC.
2150 STATE ROUTE 39 WEST
SUGARCREEK, OH 44681

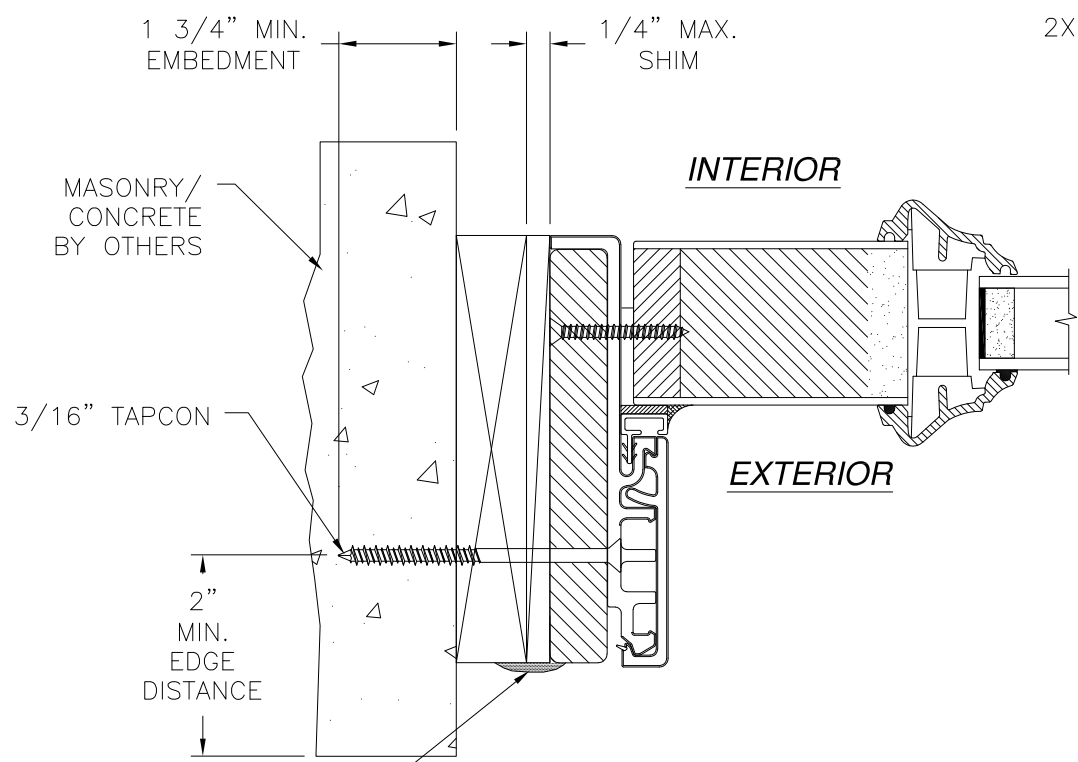
SIGNET INSWING GLAZED FIBERGLASS PATIO DOOR
W/ AND W/OUT SIDELITES AND TRANSOM
INSTALLATION DETAILS

DRAWN: TJH	DWG NO. 08-00712	REV M
SCALE NTS	DATE 03/31/09	SHEET 8 OF 12

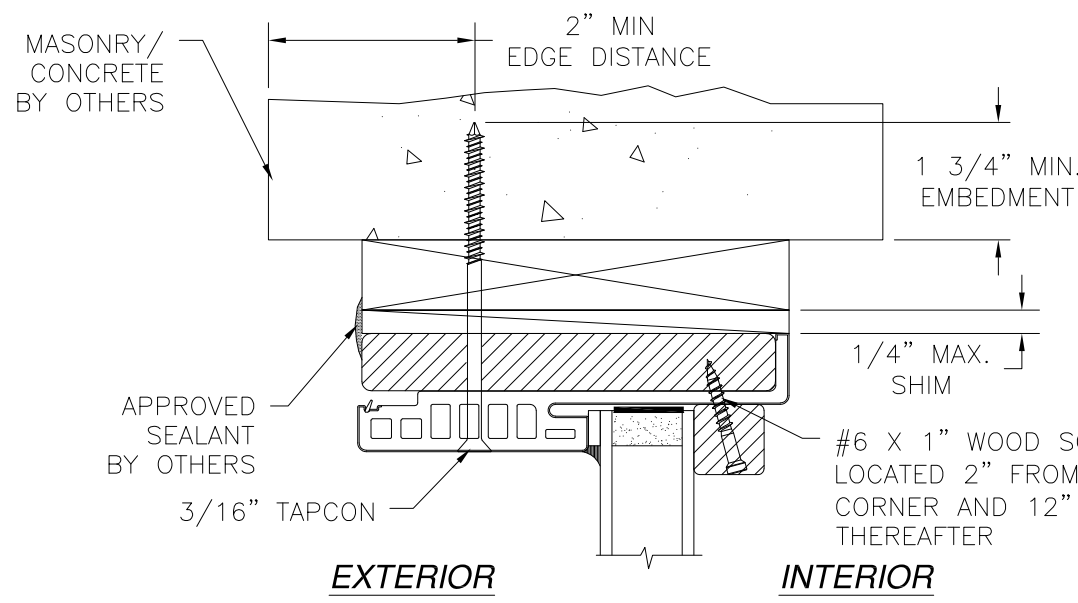
L. ROBERTO LOMAS P.E.
1432 WOODFORD RD LEWISVILLE, NC 27023
434-688-0609 rllomas@rlomaspe.com

Luis R. Lomas P.E.
FL No.: 62514

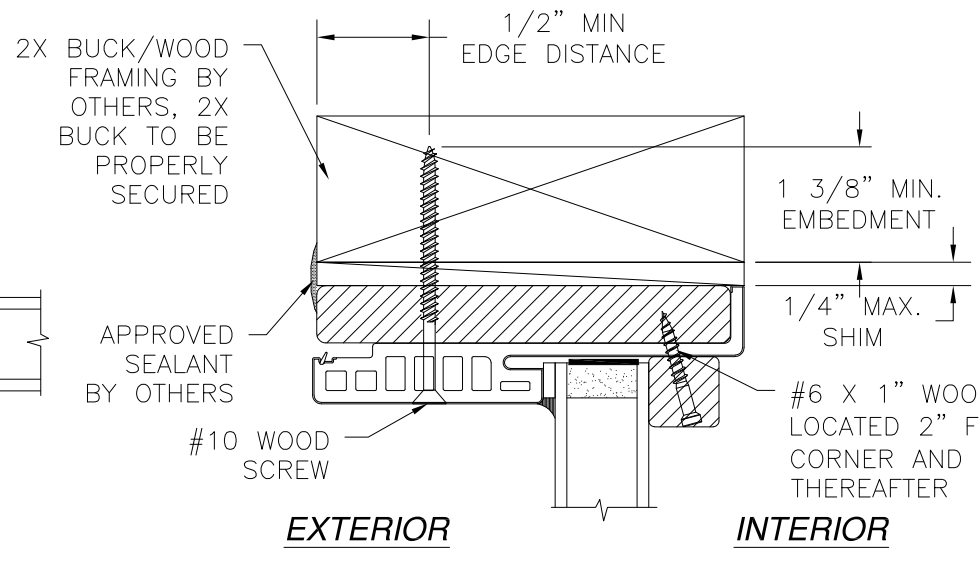
REVISIONS			
REV	DESCRIPTION	DATE	APPROVED
M	ADDED GLAZED FIR TRIMS	08/25/2021	R.L.



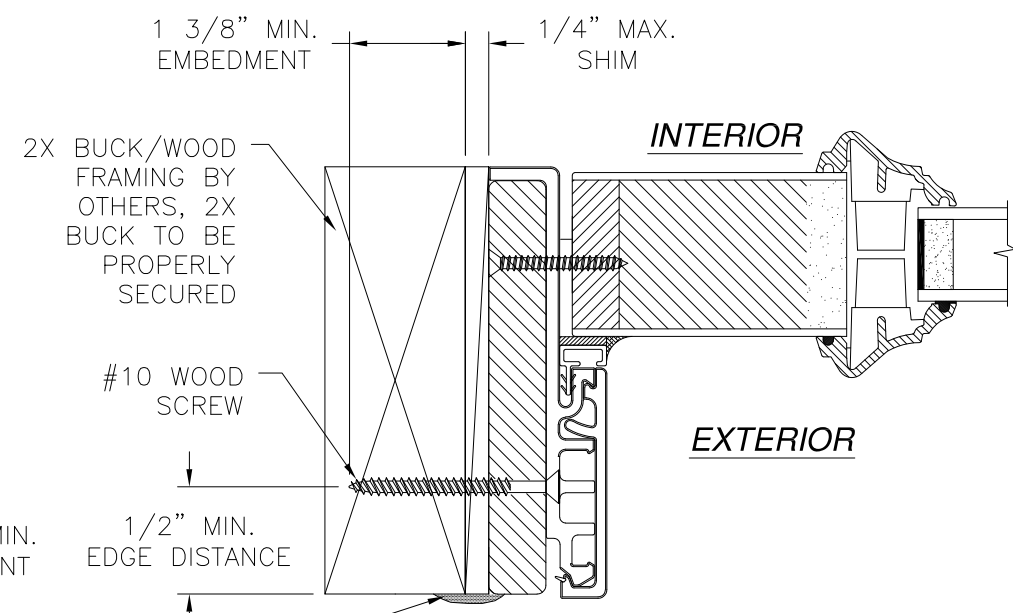
JAMB DETAIL INSWING
MASONRY/CONCRETE INSTALLATION
SIDELITE JAMB SHOWN, HINGE AND STRIKE
JAMB AND HEAD ARE SIMILAR



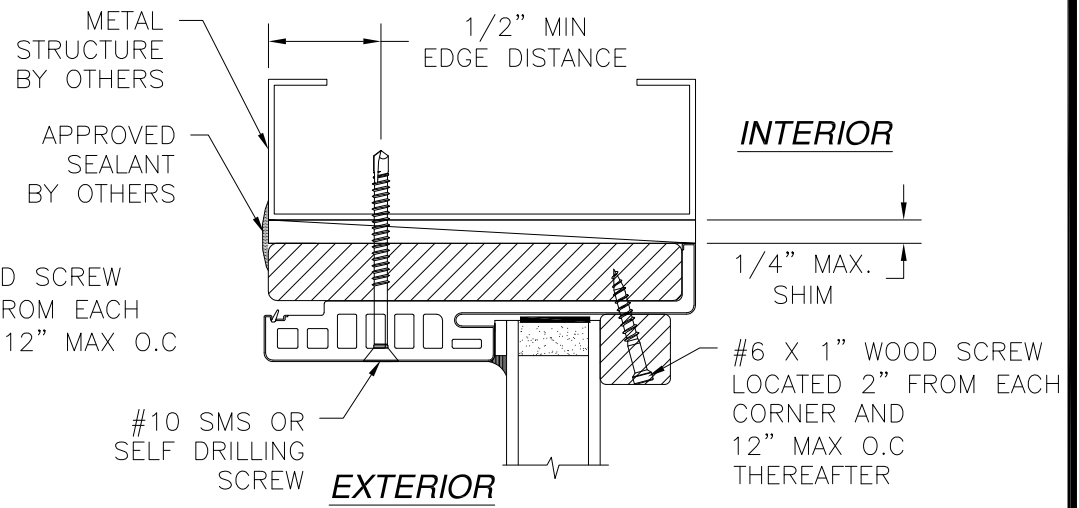
TRANSOM DETAIL INSWING
MASONRY/CONCRETE INSTALLATION
HEAD SHOWN JAMBS SIMILAR



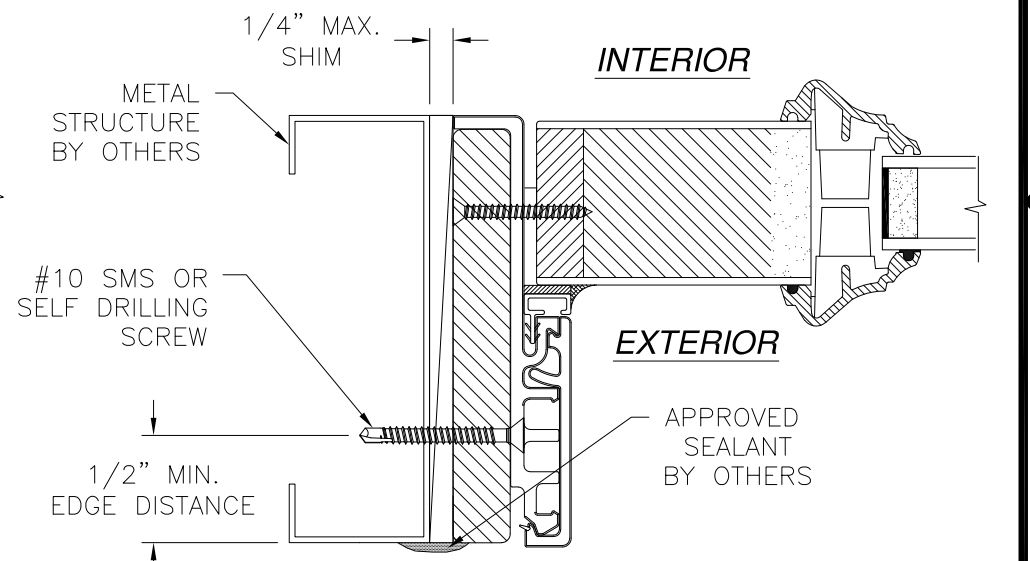
TRANSOM DETAIL INSWING
2X BUCK/WOOD FRAMING INSTALLATION
HEAD SHOWN JAMBS SIMILAR



JAMB DETAIL INSWING
2X BUCK/WOOD FRAMING INSTALLATION
SIDELITE JAMB SHOWN, HINGE AND STRIKE
JAMB AND HEAD ARE SIMILAR



TRANSOM DETAIL INSWING
METAL STRUCTURE INSTALLATION
HEAD SHOWN JAMBS SIMILAR



JAMB DETAIL INSWING
METAL STRUCTURE INSTALLATION
SIDELITE JAMB SHOWN, HINGE AND STRIKE
JAMB AND HEAD ARE SIMILAR

SIGNED: 09/08/2021

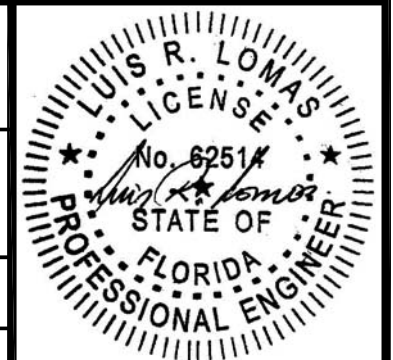
- NOTES:**
1. INTERIOR AND EXTERIOR FINISHES, BY OTHERS, NOT SHOWN FOR CLARITY.
 2. PERIMETER AND JOINT SEALANT BY OTHERS TO BE DESIGNED IN ACCORDANCE WITH ASTM E2112

PROVIA, LLC.
2150 STATE ROUTE 39 WEST
SUGARCREEK, OH 44681

SIGNET INSWING GLAZED FIBERGLASS PATIO DOOR
W/ AND W/OUT SIDELITES AND TRANSOM
INSTALLATION DETAILS W/FUSION FRAME

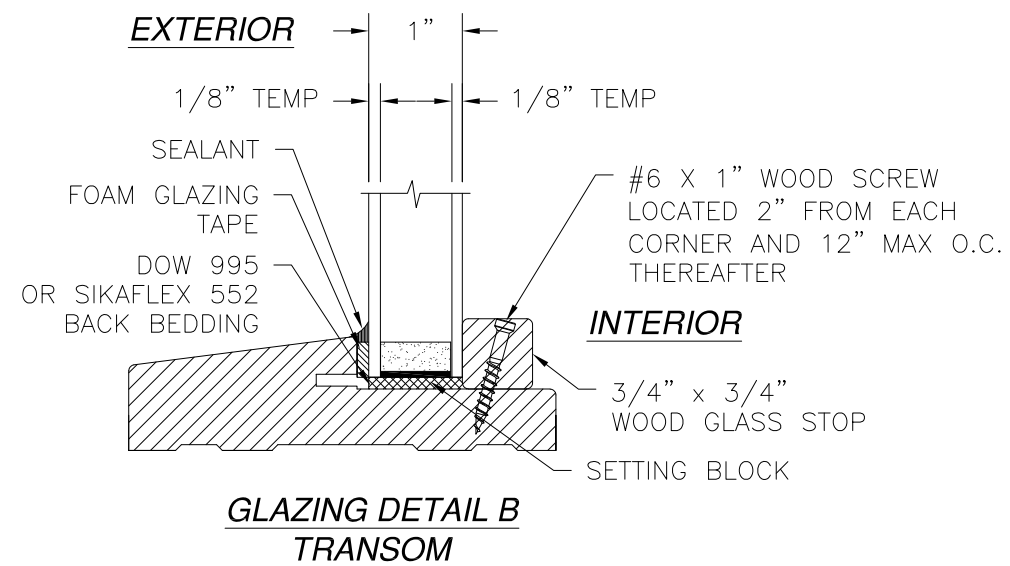
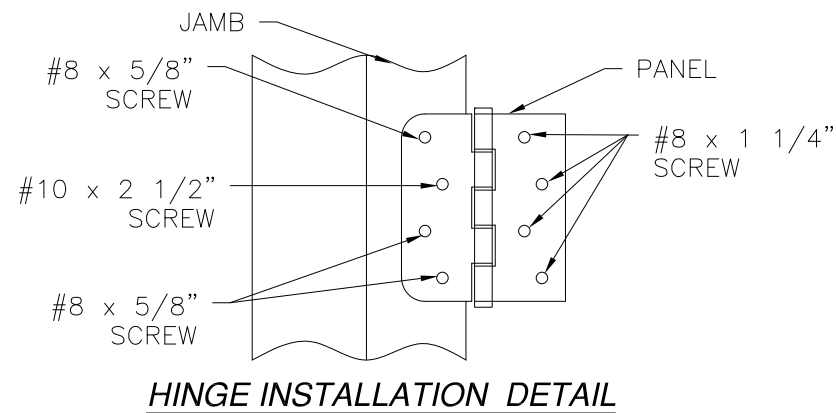
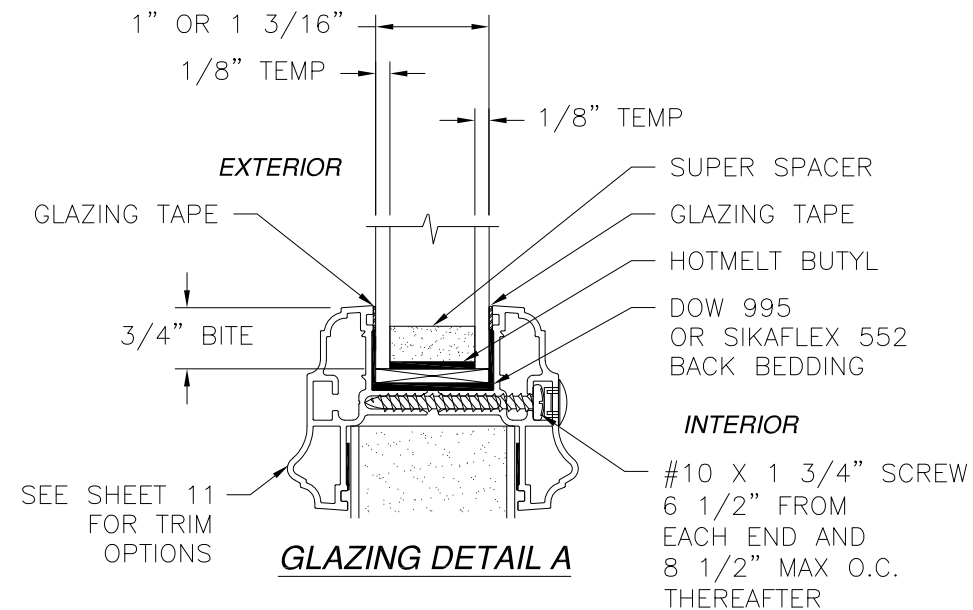
DRAWN: TJH	DWG NO. 08-00712	REV M
SCALE NTS	DATE 03/31/09	SHEET 9 OF 12

L. ROBERTO LOMAS P.E.
1432 WOODFORD RD LEWISVILLE, NC 27023
434-688-0609 rllomas@rlomaspe.com



Luis R. Lomas P.E.
FL No.: 62514

REVISIONS			
REV	DESCRIPTION	DATE	APPROVED
M	ADDED GLAZED FIR TRIMS	08/25/2021	R.L.



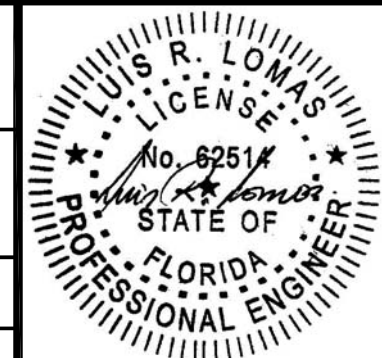
SIGNED: 09/08/2021

PROVIA, LLC.
2150 STATE ROUTE 39 WEST
SUGARCREEK, OH 44681

SIGNET INSWING GLAZED FIBERGLASS PATIO DOOR
W/ AND W/OUT SIDELITES AND TRANSOM
GLAZING AND HINGE DETAILS

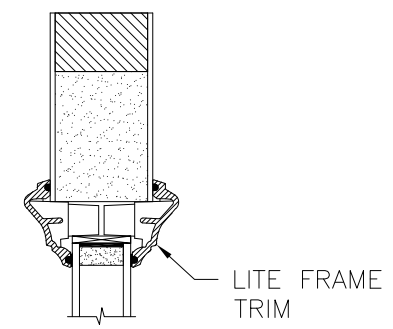
DRAWN: TJH	DWG NO. 08-00712	REV M
SCALE NTS	DATE 03/31/09	SHEET 10 OF 12

L. ROBERTO LOMAS P.E.
1432 WOODFORD RD LEWISVILLE, NC 27023
434-688-0609 rllomas@lrlomaspe.com

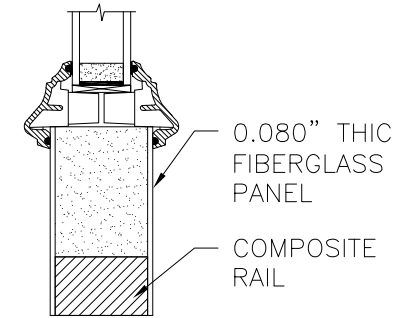


Luis R. Lomas P.E.
FL No.: 62514

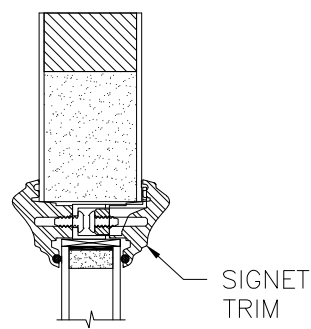
REVISIONS			
REV	DESCRIPTION	DATE	APPROVED
M	ADDED GLAZED FIR TRIMS	08/25/2021	R.L.



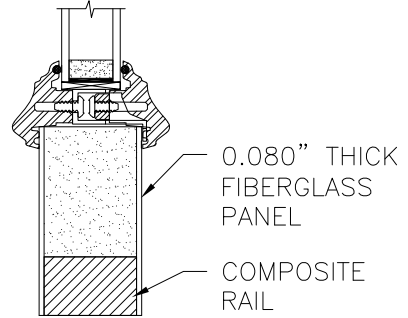
LITE FRAME TRIM



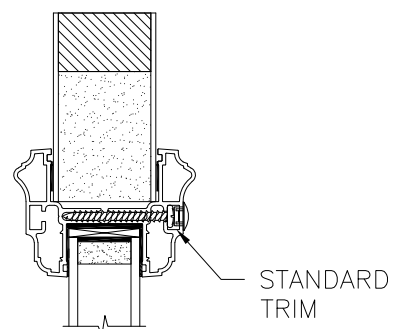
OPTION 1
LITE FRAME TRIM



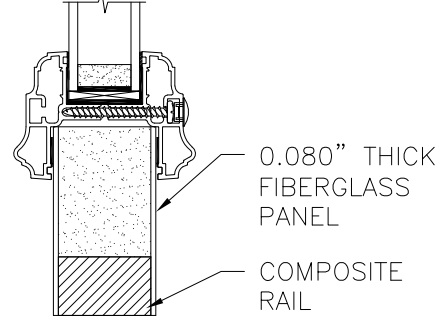
SIGNET TRIM



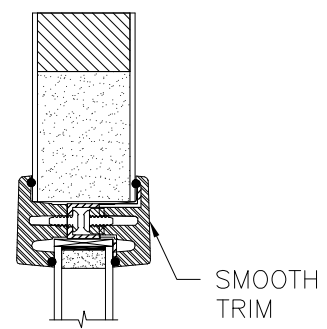
OPTION 2
SIGNET TRIM



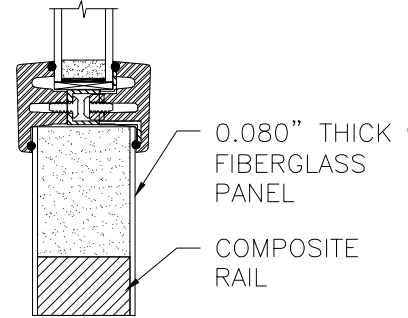
STANDARD TRIM



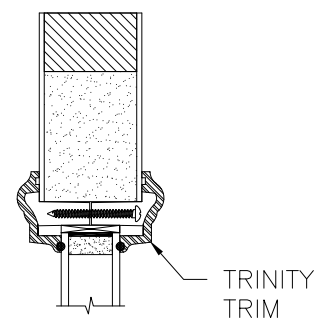
OPTION 3
STANDARD TRIM



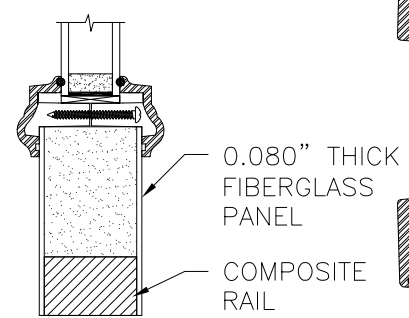
SMOOTH TRIM



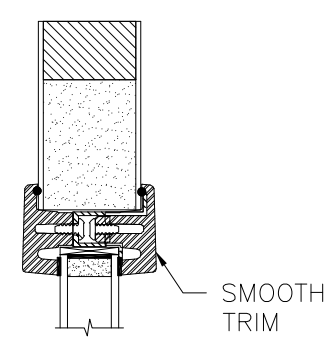
OPTION 4
SMOOTH TRIM



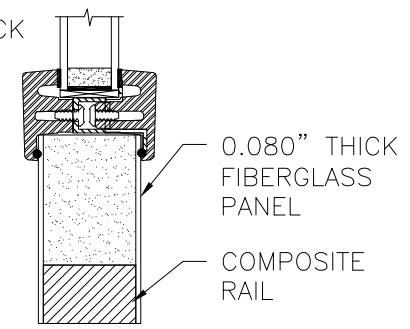
TRINITY TRIM



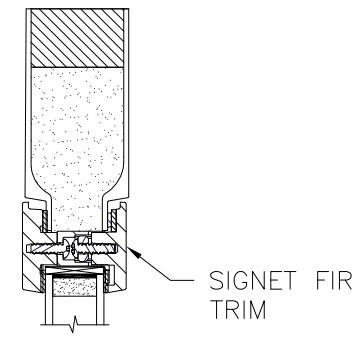
OPTION 5
TRINITY TRIM



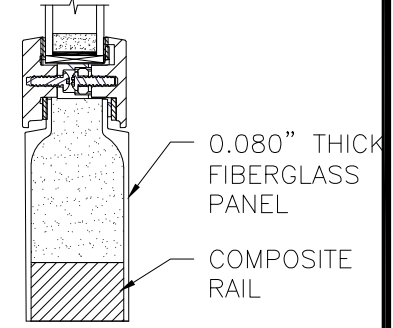
SMOOTH TRIM



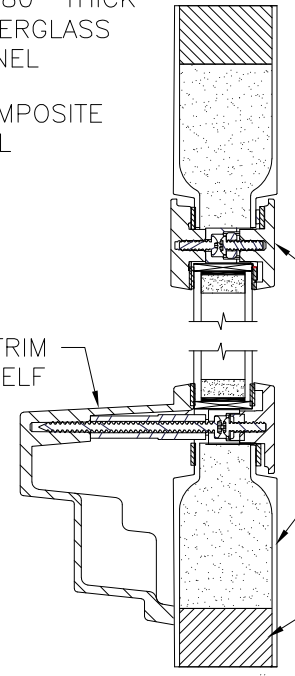
OPTION 11
SMOOTH TRIM
W/TAPE



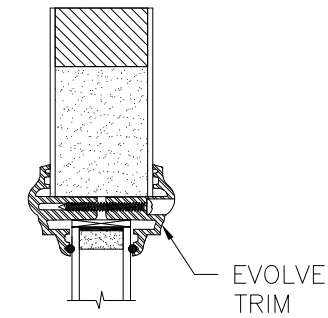
SIGNET FIR TRIM



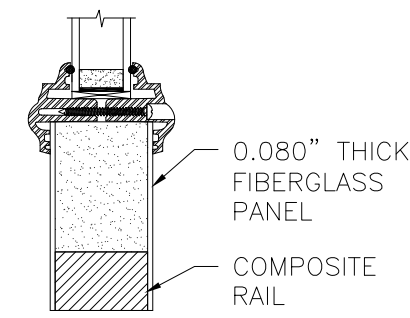
OPTION 12
SIGNET FIR TRIM



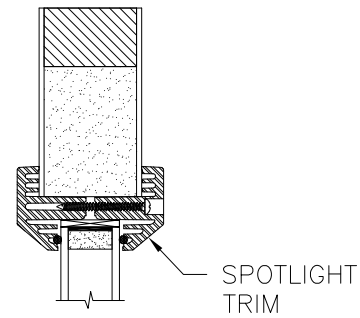
OPTION 13
SIGNET FIR &
DENTIL SHELF TRIM



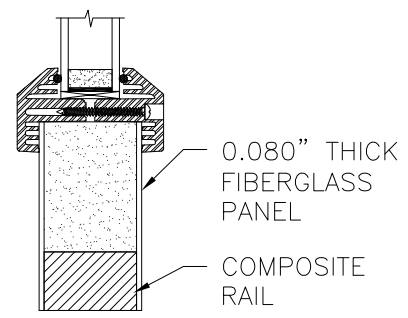
EVOLVE TRIM



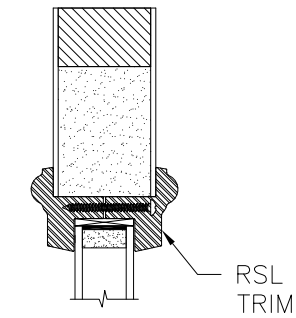
OPTION 6
EVOLVE TRIM



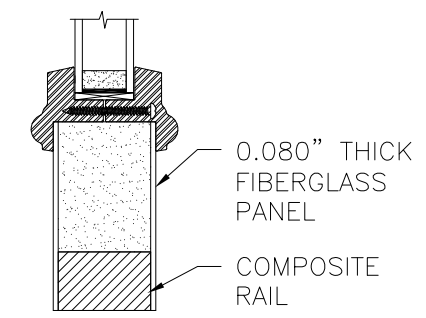
SPOTLIGHT TRIM



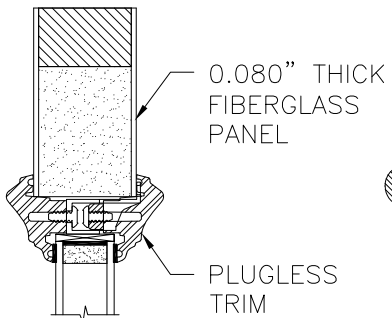
OPTION 7
SPOTLIGHT TRIM



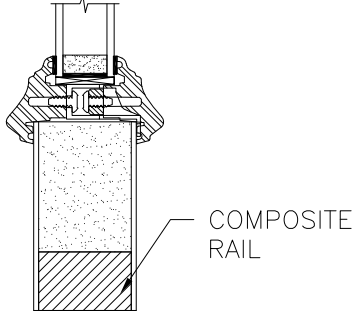
RSL TRIM



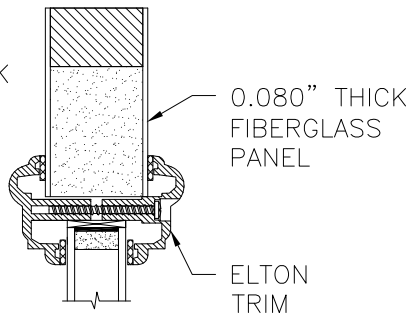
OPTION 8
RSL TRIM



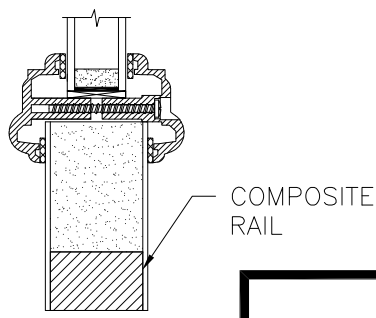
PLUGLESS TRIM



OPTION 9
PLUGLESS TRIM
W/TAPE



ELTON TRIM



OPTION 10
ELTON TRIM

APPROVED SLABS AND TRIMS

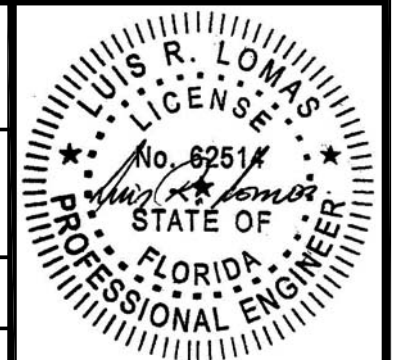
PROVIA, LLC.
2150 STATE ROUTE 39 WEST
SUGARCREEK, OH 44681

SIGNET INSWING GLAZED FIBERGLASS PATIO DOOR
W/ AND W/OUT SIDELITES AND TRANSOM
APPROVED SLABS AND TRIMS

DRAWN: TJH	DWG NO. 08-00712	REV M
SCALE NTS	DATE 03/31/09	SHEET 11 OF 12

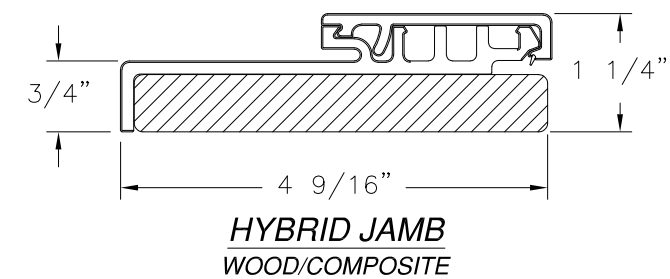
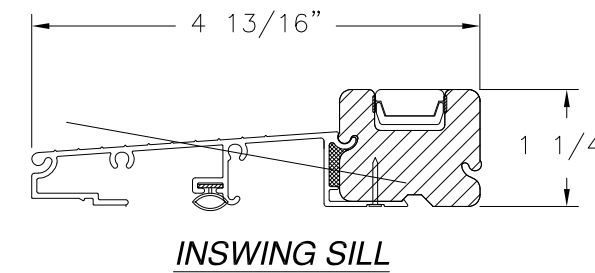
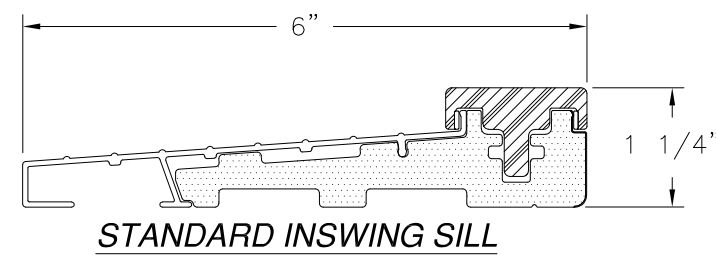
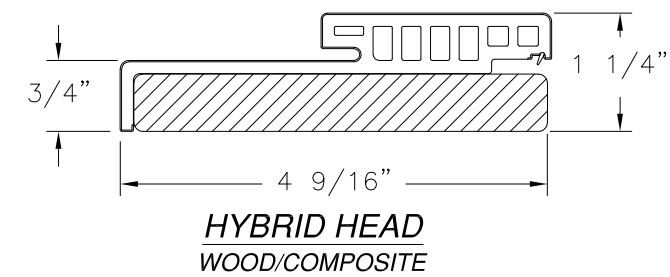
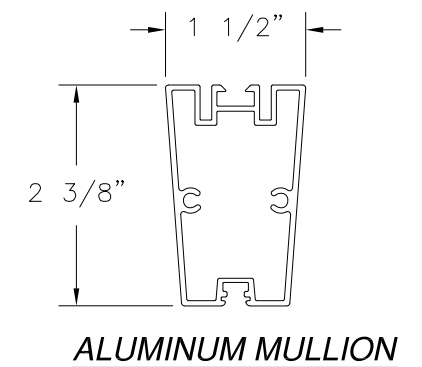
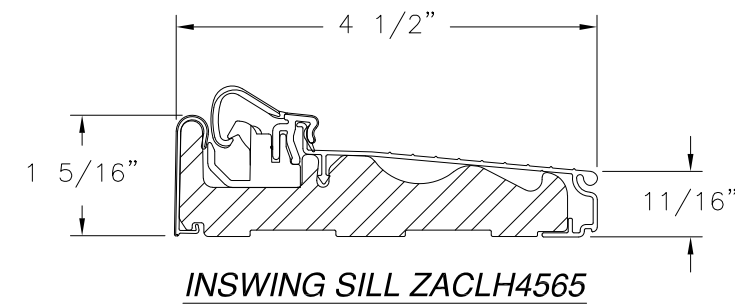
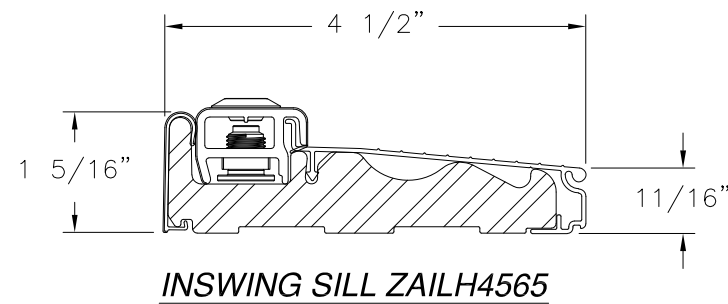
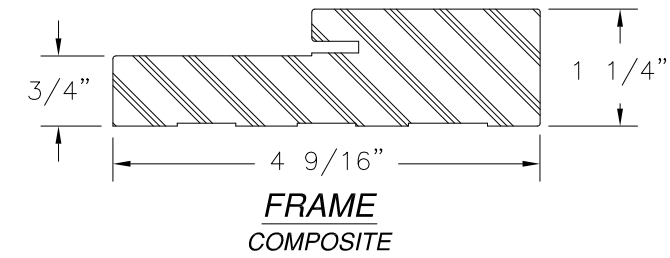
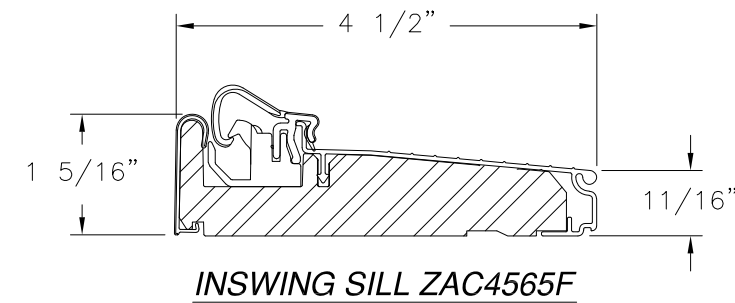
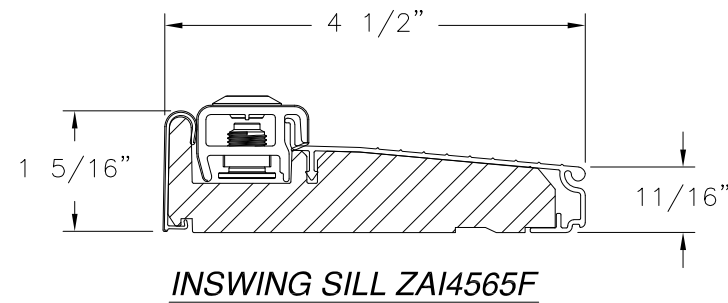
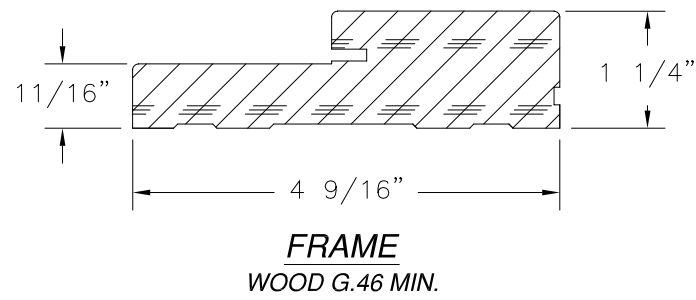
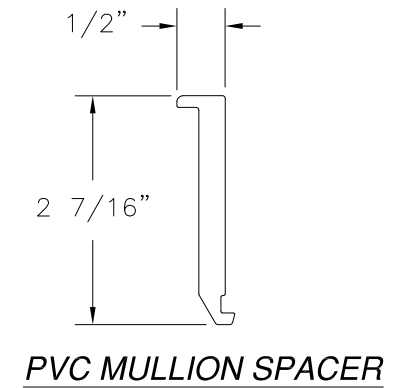
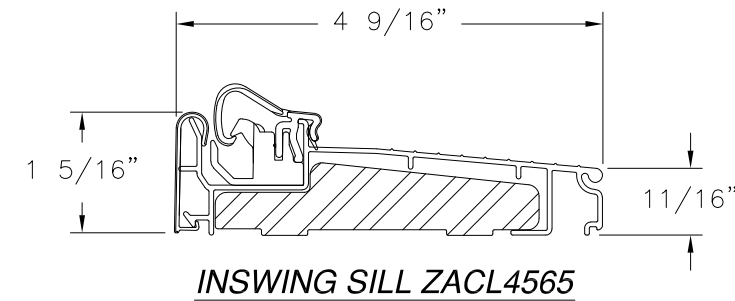
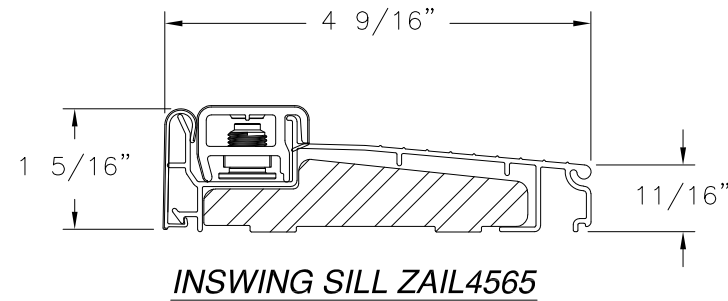
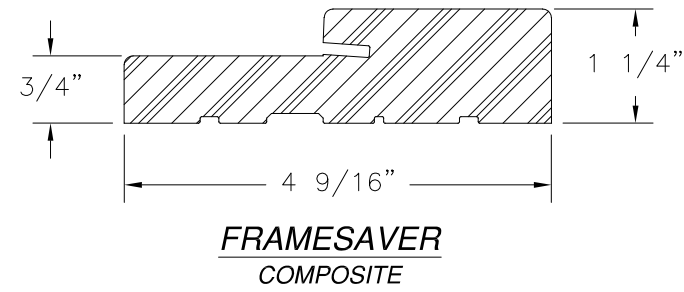
L. ROBERTO LOMAS P.E.
1432 WOODFORD RD LEWISVILLE, NC 27023
434-688-0609 rllomas@rlomaspe.com

SIGNED: 09/08/2021

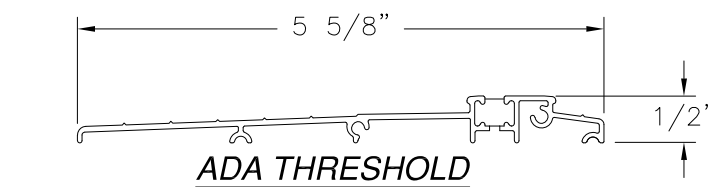


Luis R. Lomas P.E.
FL No.: 62514

REVISIONS			
REV	DESCRIPTION	DATE	APPROVED
M	ADDED GLAZED FIR TRIMS	08/25/2021	R.L.



SIGNED: 09/08/2021

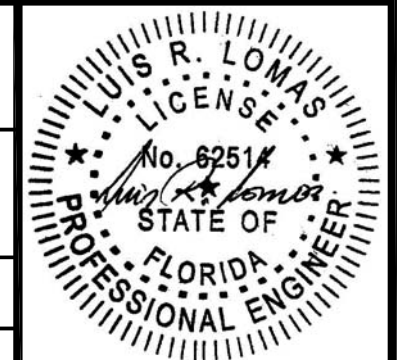


PROVIA, LLC.
2150 STATE ROUTE 39 WEST
SUGARCREEK, OH 44681

SIGNET INSWING GLAZED FIBERGLASS PATIO DOOR
W/ AND W/OUT SIDELITES AND TRANSOM
COMPONENTS

DRAWN: TJH	DWG NO. 08-00712	REV M
SCALE NTS	DATE 03/31/09	SHEET 12 OF 12

L. ROBERTO LOMAS P.E.
1432 WOODFORD RD LEWISVILLE, NC 27023
434-688-0609 rllomas@rlomaspe.com



Luis R. Lomas P.E.
FL No.: 62514